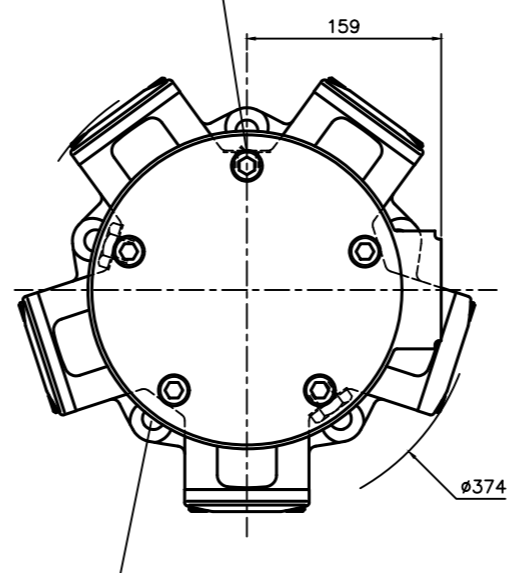


HMC030

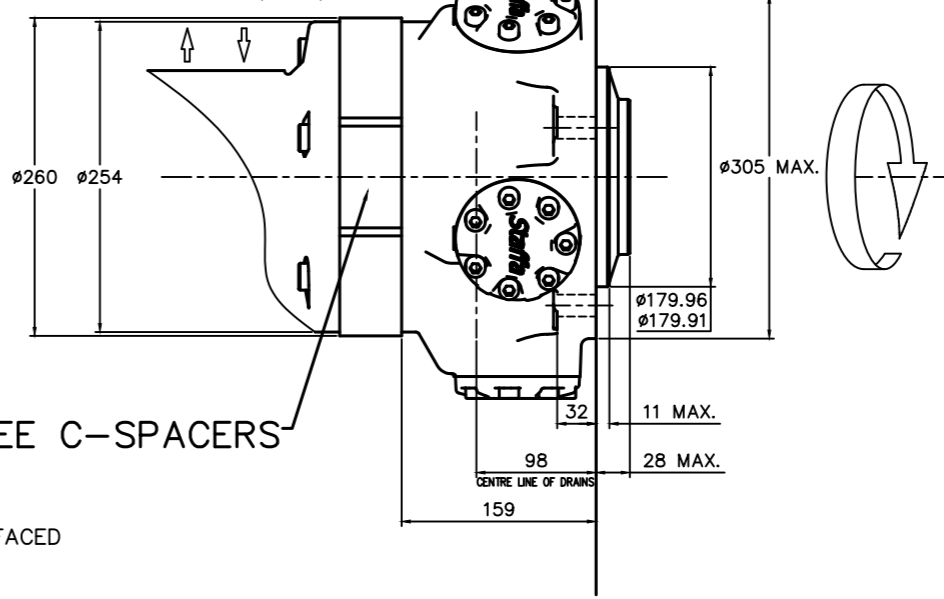
3/8" BSP x 17 FULL THREAD (CHOICE OF 3 POSITIONS)
(2 NORMALLY PLUGGED)

NOTE: - ENSURE ON INSTALLATION THAT DRAIN IS TAKEN FROM ABOVE MOTOR CENTRELINE.
DO NOT EXCEED 12 DEPTH OF COUPLING IN TO DRAIN PORT



REVERSE PORT CONNECTIONS FOR OPPOSITE DIRECTION OF SHAFT ROTATION

FLOW DIRECTION FOR ALL VLV HSG VARIANTS EXCEPT F2/FM2/SM3

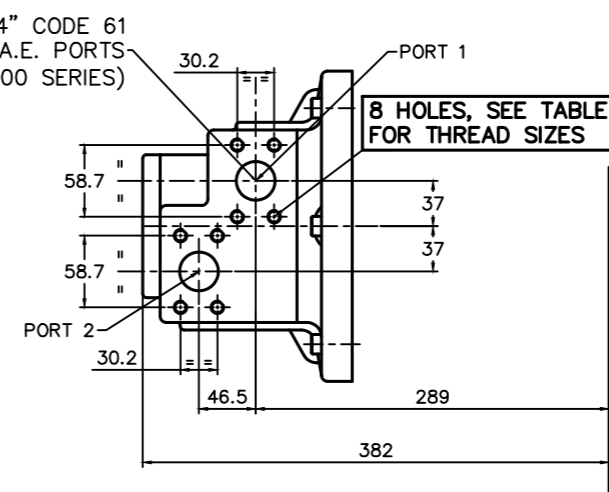
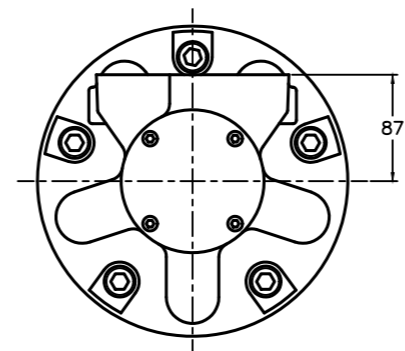
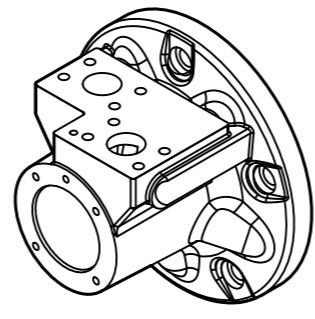


VIEWS ON ARROW 'A'

VIEWS ON ARROW 'A'

F3/FM3 -
3" VALVE HOUSING WITH
1 1/4" SAE 4-BOLT FLANGES

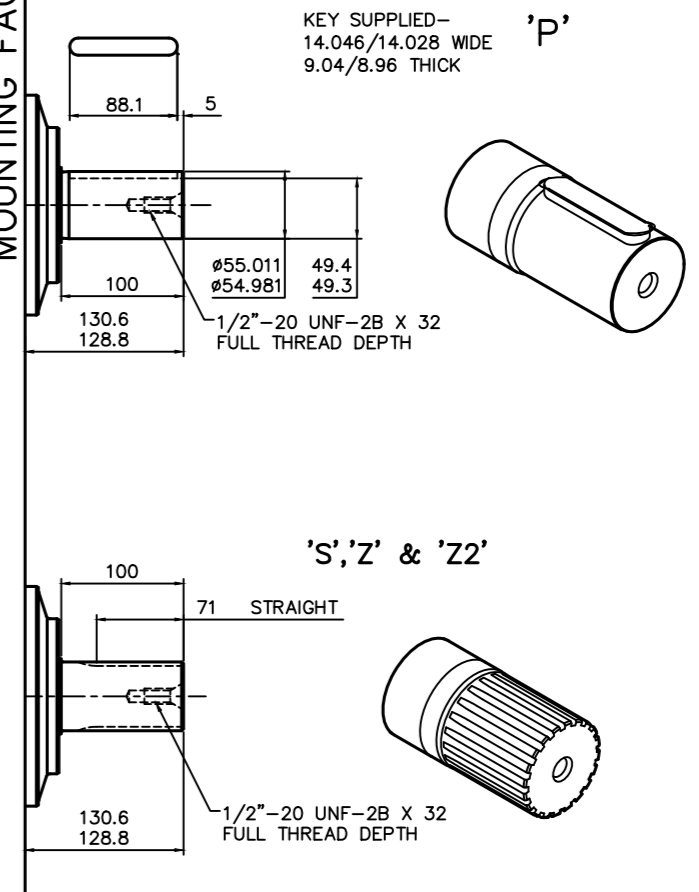
PORT FLANGE BOLT TAPPING SIZE -
F3: 7/16"-14 UNC-2B X 27 FULL THREAD DEPTH
FM3: M12 X P1.75 X 27 FULL THREAD DEPTH



MOUNTING FACE

MOUNTING FACE

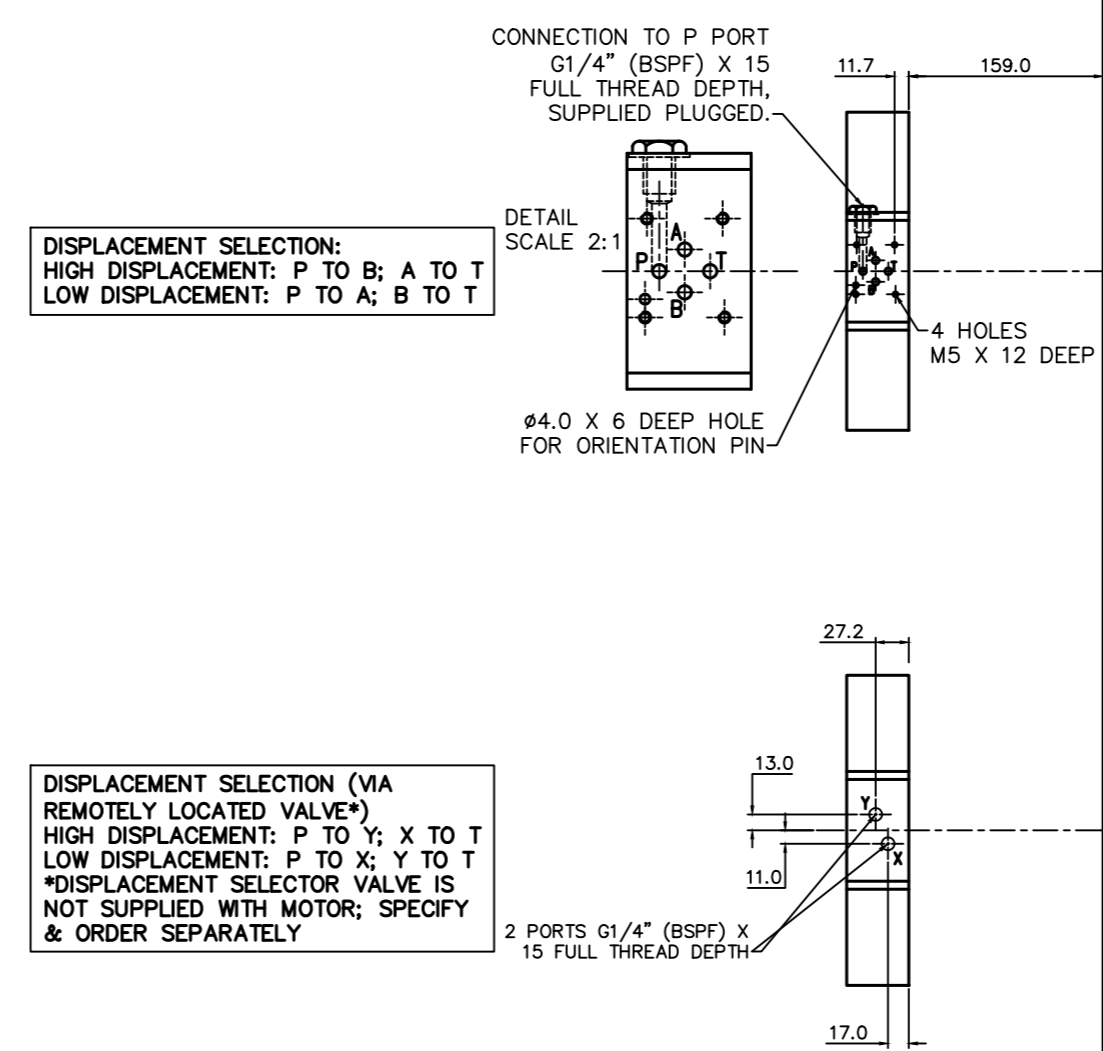
KEY SUPPLIED -
14.046/14.028 WIDE
9.04/8.96 THICK



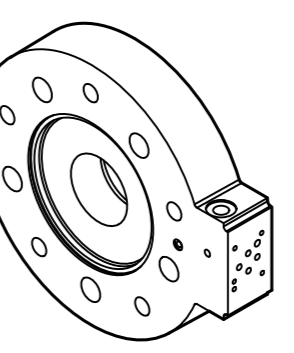
SPLINE DATA

'S'	
TO BS 3550 (ANSI B92.1 CLASS 5)	
FLAT ROOT SIDE FIT, CLASS 1	
PRESSURE ANGLE	30°
NUMBER OF TEETH	17
PITCH	8/16
MAJOR DIAMETER	56.41/56.29
FORM DIAMETER	50.70
MINOR DIAMETER	50.06/49.60
PIN DIAMETER	6.096
DIAMETER OVER PINS	62.984/62.931
'Z'	
DIN 5480 W55 x 3 x 17 x 7h	
'ZZ'	
DIN 5480 W60 x 3 x 18 x 7h	

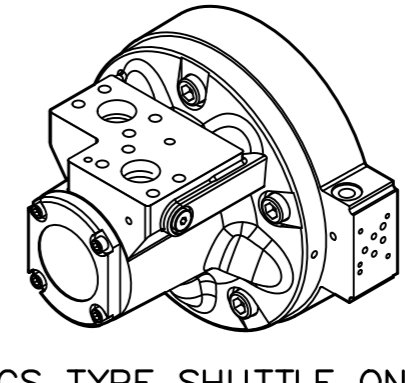
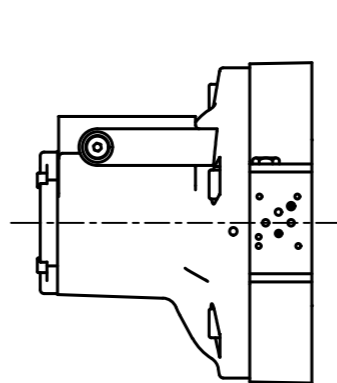
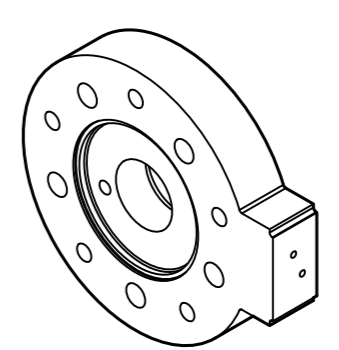
MOUNTING INTERFACE FOR DIRECTIONAL CONTROL
VALVE* TO: ISO 4401 SIZE 03/ANSI B93.7M SIZE D03
*DISPLACEMENT SELECTOR VALVE IS NOT SUPPLIED WITH MOTOR; SPECIFY & ORDER SEPARATELY



TYPES C & CS
DISPLACEMENT CONTROL



TYPE X
DISPLACEMENT CONTROL



CS TYPE SHUTTLE ON F3 & FM3 ASSEMBLIES ONLY