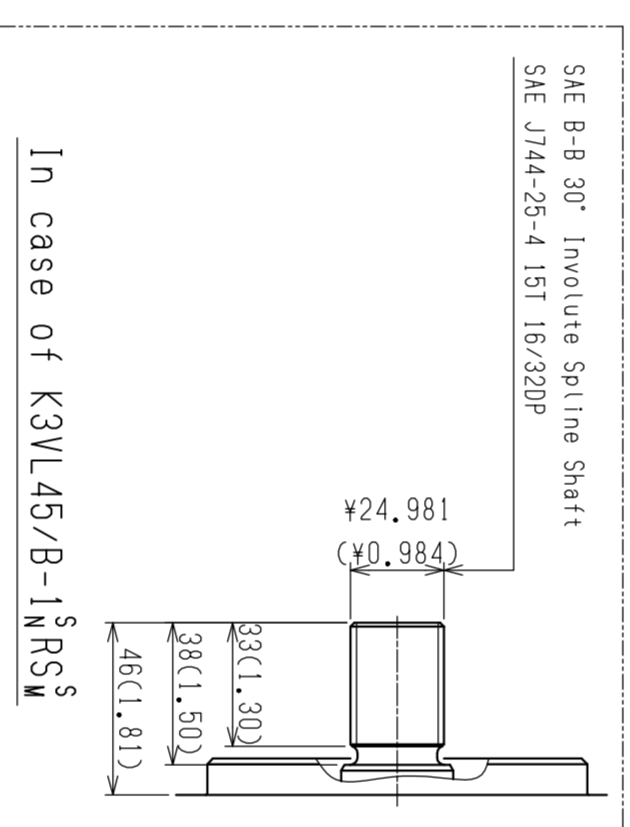
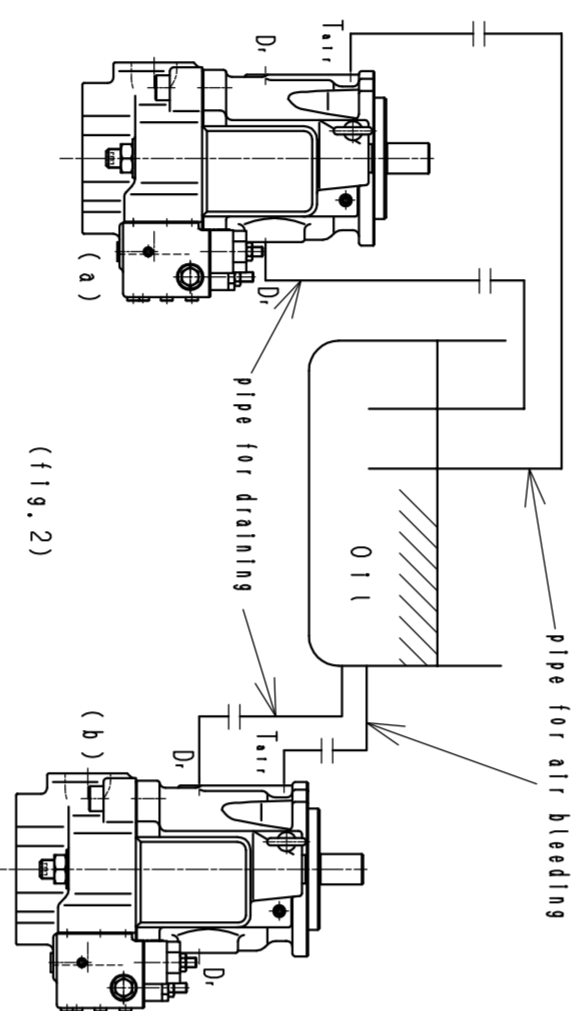
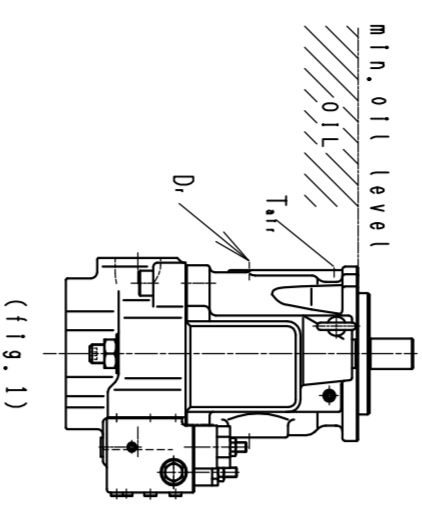


Port name	Port size	On delivery	Tightening torque (N·m)
A Delivery port	SAE J518C Std. pressure (Code 81) 1"	Covered with tape	57 (42.0)
B Suction port	SAE J518C Std. pressure (Code 81) 1 1/2"	Covered with tape	98 (72.3)
D Drain port	SAE J192B/1 Straight thread O-Ring boss 1/2" O. D Tube 3/4-16UNF-2B	Attached with steel plug	98 (72.3)
PL Load sensing port (Type LQ, LI)	SAE J192B/1 Straight thread O-Ring boss 1/4" O. D Tube 7/16-20UNF-2B	Attached with steel plug	12 (8.8)
Tair Air bleeder port	SAE J192B/1 Straight thread O-Ring boss 1/4" O. D Tube 7/16-20UNF-2B	Attached with steel plug	12 (8.8)

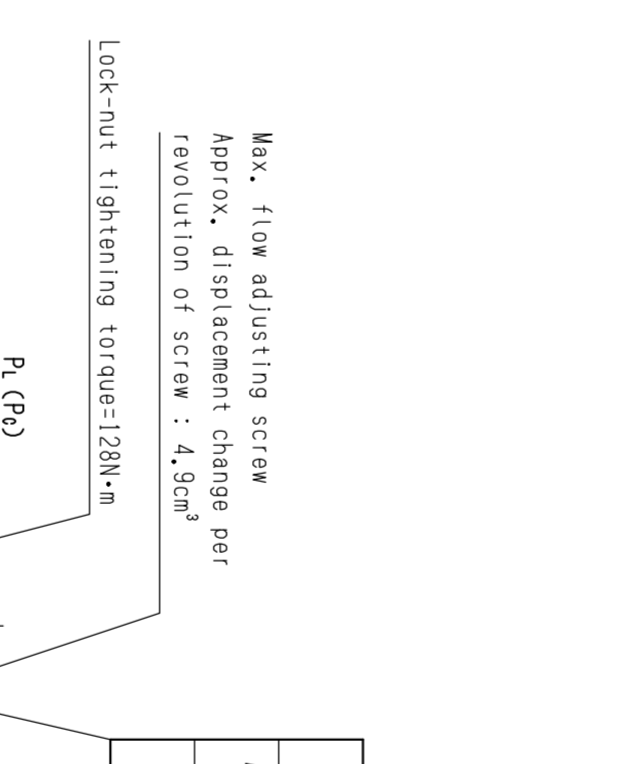
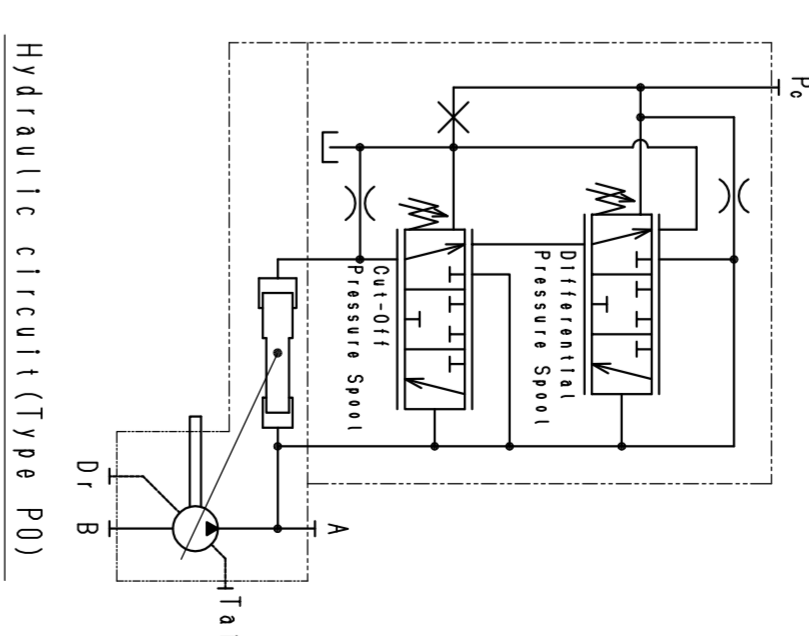
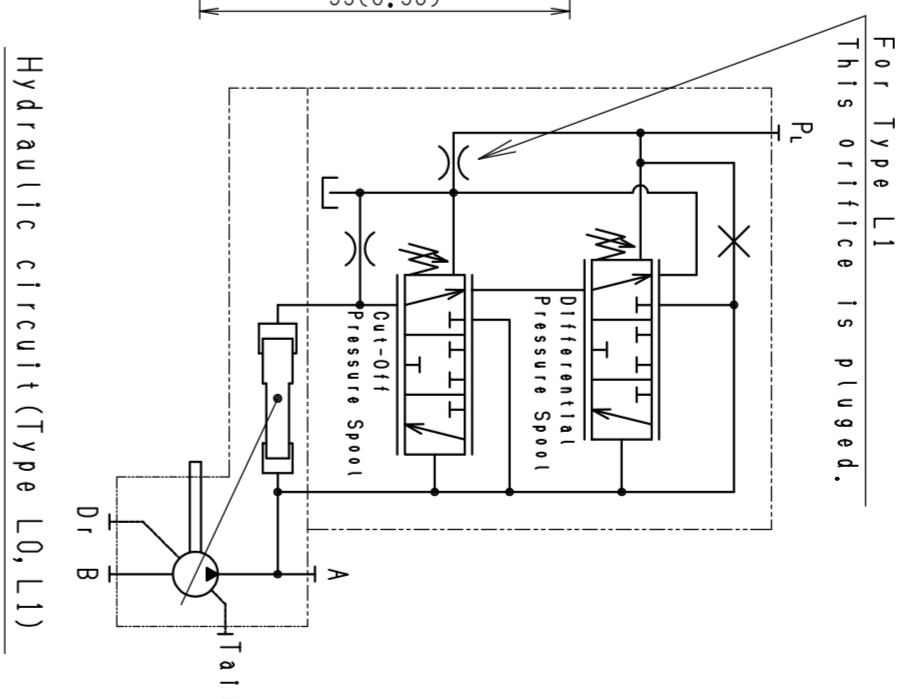
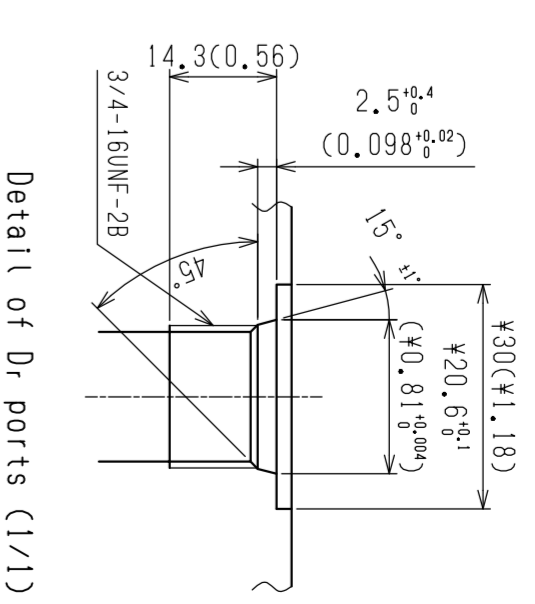
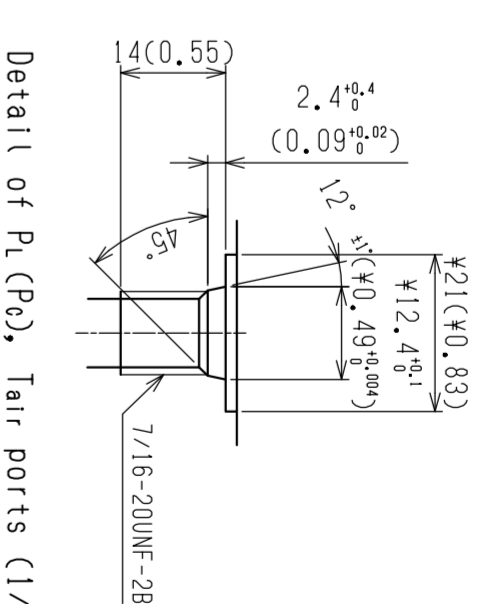
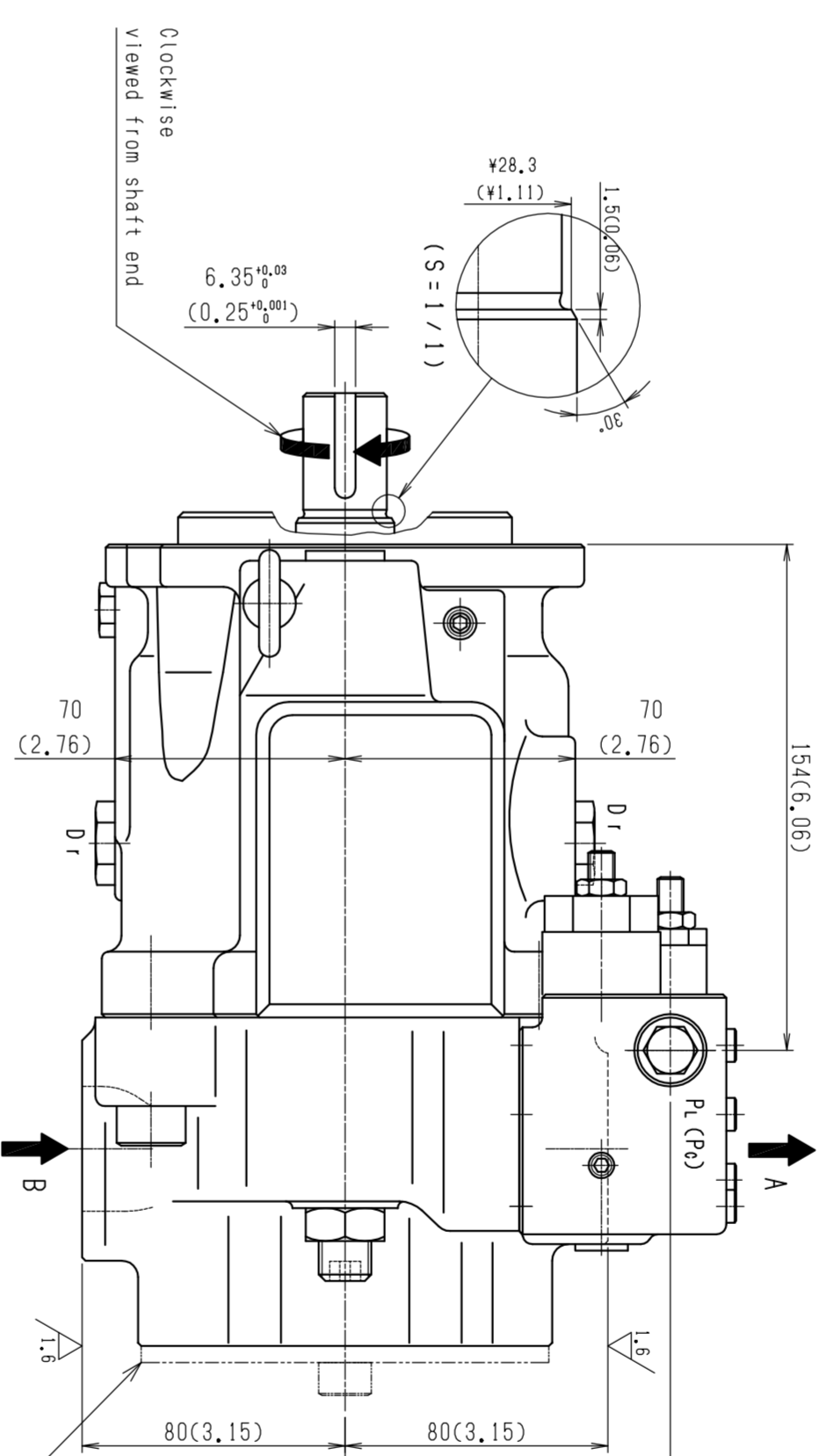
Notes on mounting and operation

- The pump shaft and flange surfaces should be cleaned. Remove an anti-rust material.
- Do not apply any form of axial loading to the pump shaft.
- The uppermost drain port should be used and the drain piping should be so connected as to keep the casing filled with oil.
- Keep the casing pressure below 1 bar (14 psi) normally, and below 4 bar (58 psi) at its peak.
- Make sure the drain piping led into the oiltank is kept below the surface of the oil (to prevent aeration).
- Make sure the suction pressure in the suction flange is kept above 0 bar (0 psi) normally.
- Mineral antiwear type hydraulic oil should be used.
- For satisfactory service life of the pump in application, the operating fluid should be continuously filtered to a minimum cleanliness level of MAS1638 class 9 or 18/15 to ISO/DIS 4406.
- Provide a 150 mesh (100µm) strainer in the suction line.
- Install a 10µm filter in the return line.
- Allowable oil temperature range: -20~95°C.
- Oil viscosity range: 10~100cSt when 200~1000cSt, take warming up before real working.
- Gaution for the vertical mounting.
The oil level in the tank should be upper than the pump mounting flange. (Fig. 1)
If the oil level is lower than the pump level, forced lubrication should be made from the air bleeder port. (flow 1~2 l/min)
- Installation within a tank
 - Open the drain port and the air bleeder port.
 - Installation outside a tank (Fig. 2)
 - Pipe the drain port and the air bleeder port to tank.
 - If the pipe for draining or air bleeding is upper than the oil level, it should be filled with oil before starting the pump.

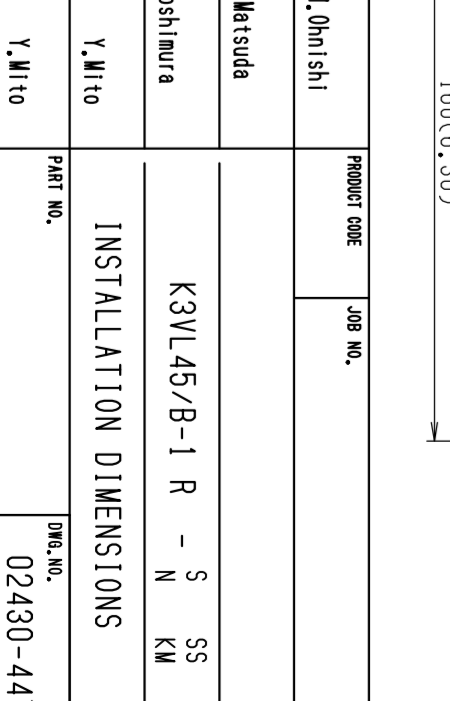
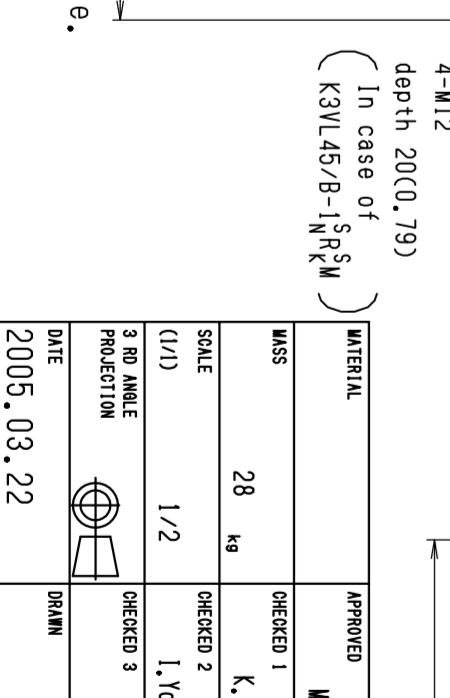
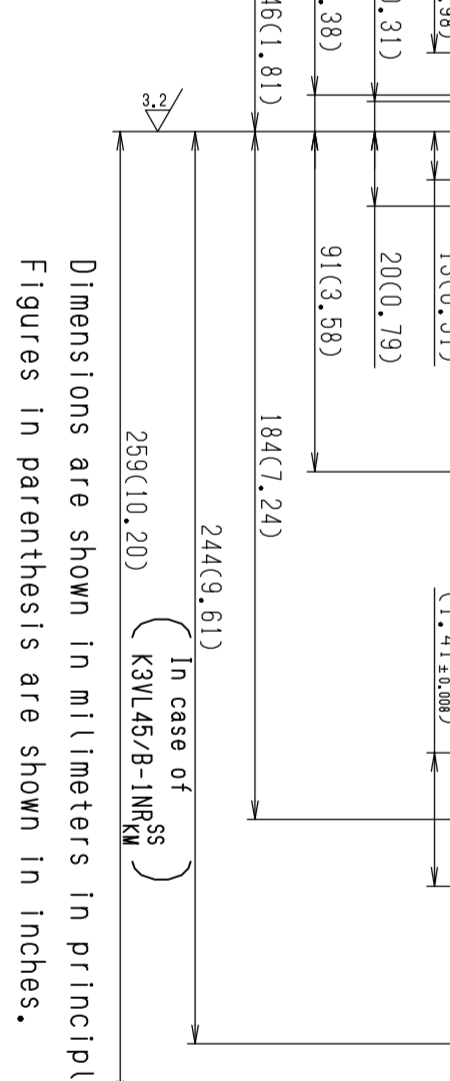
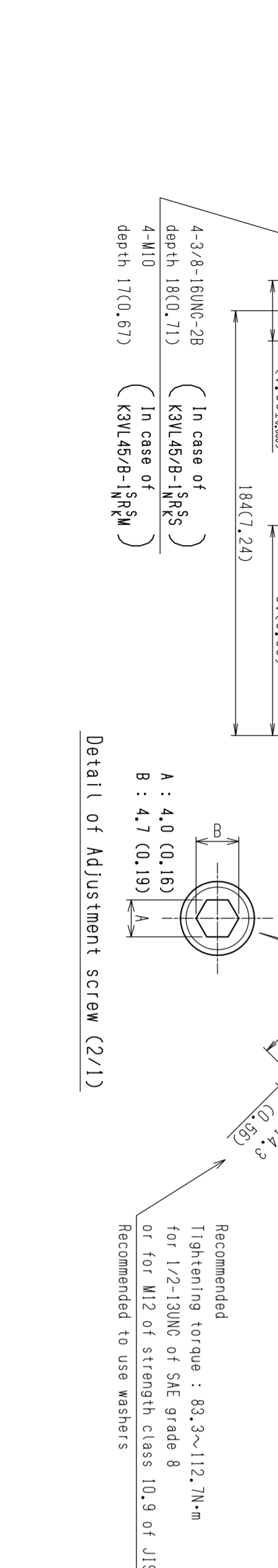
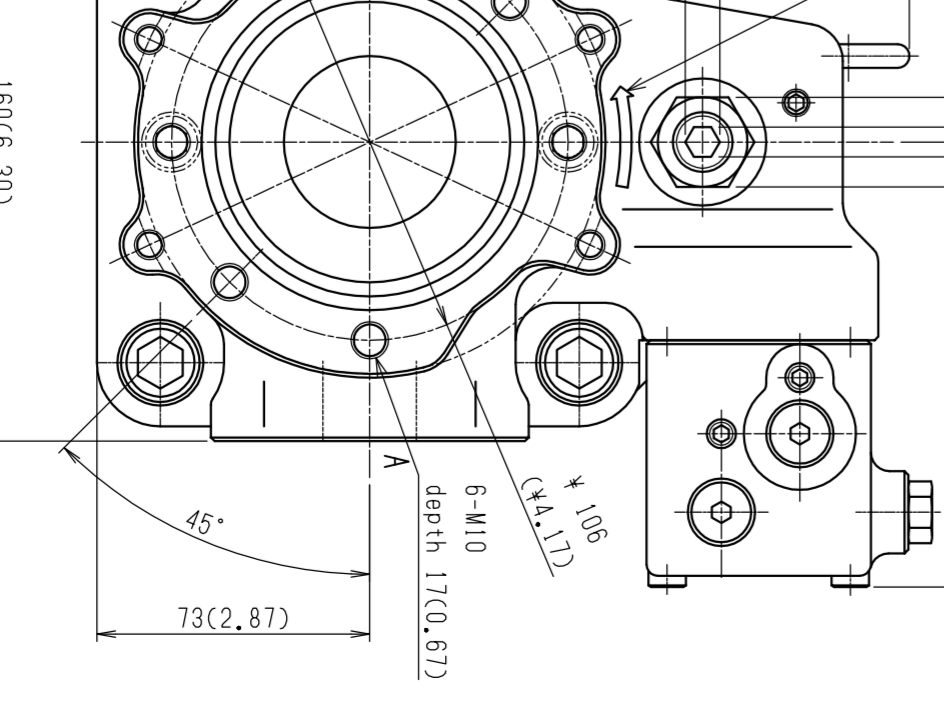
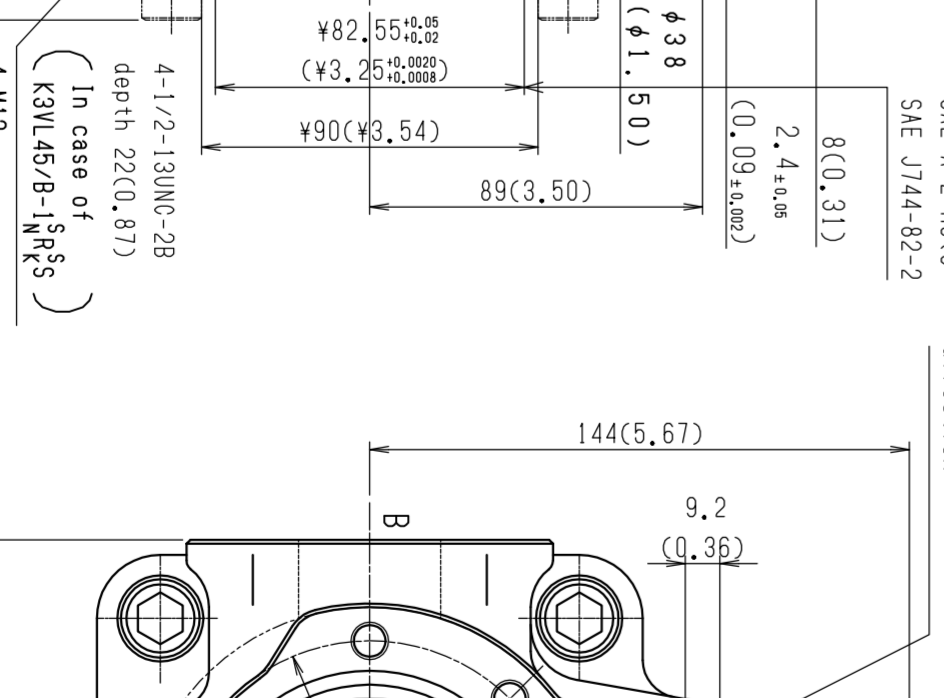
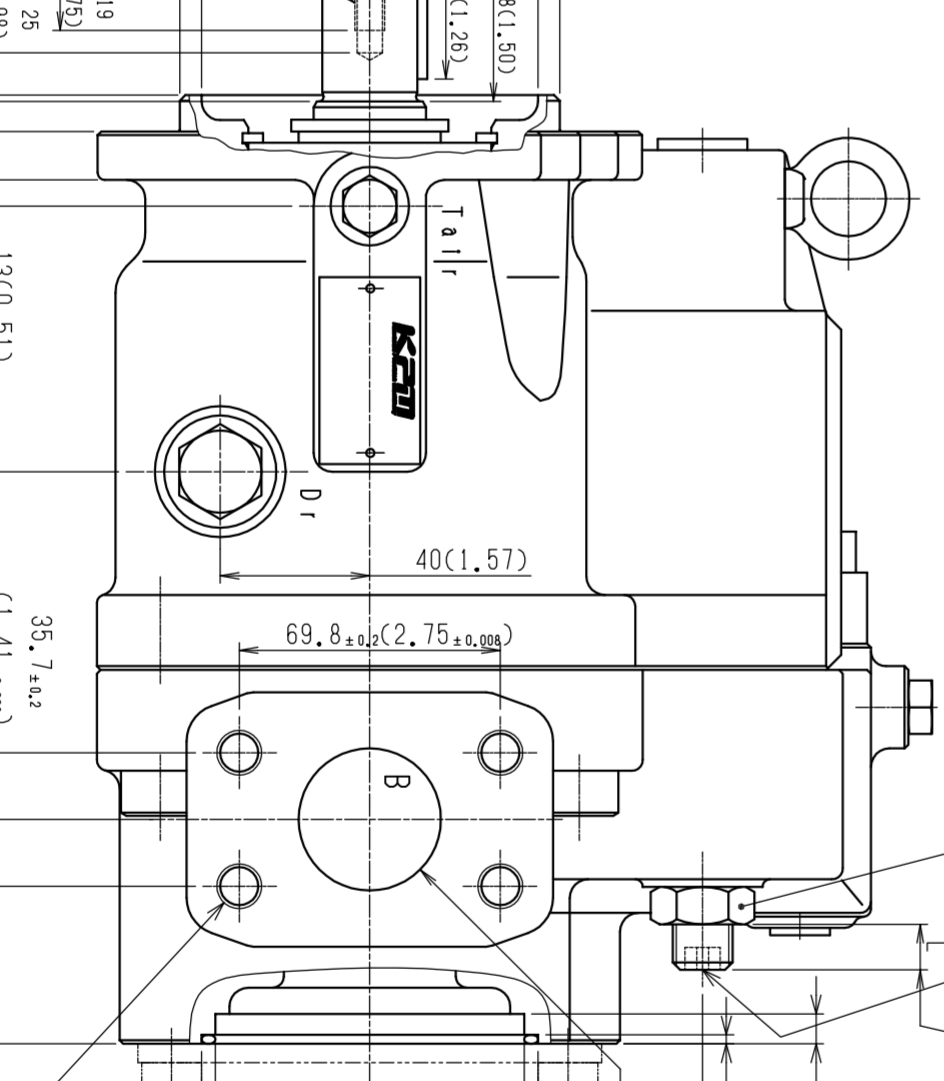
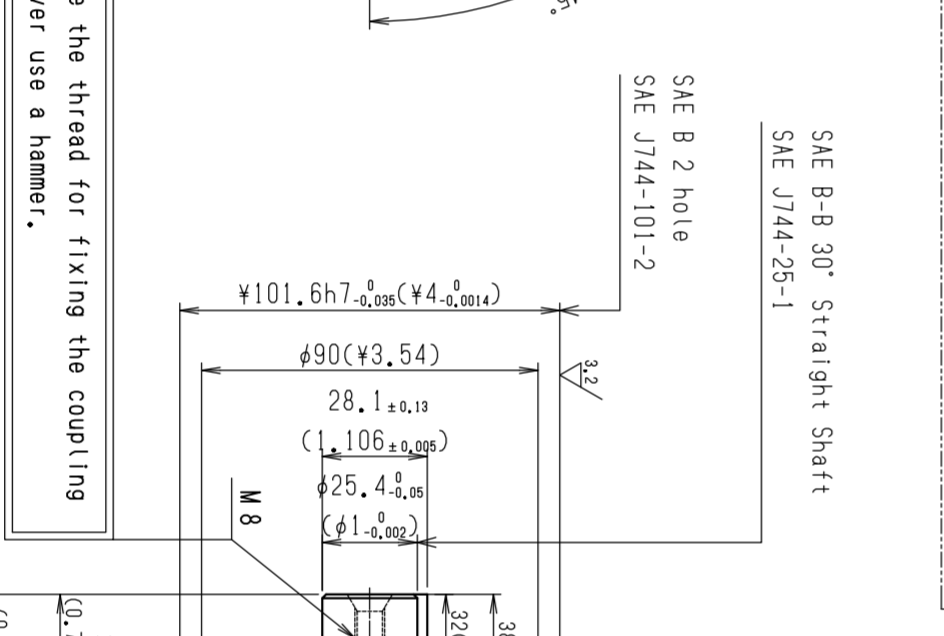
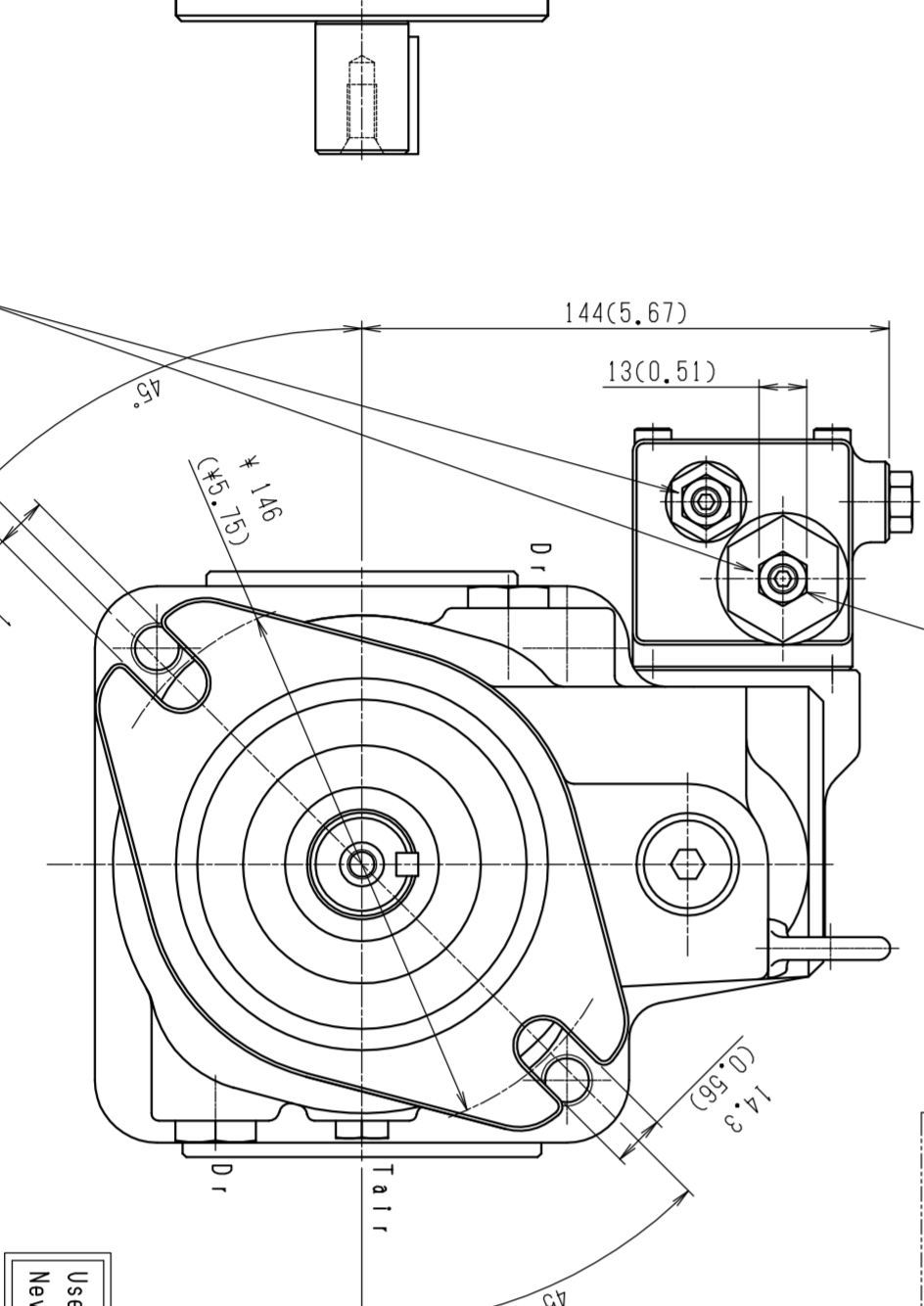
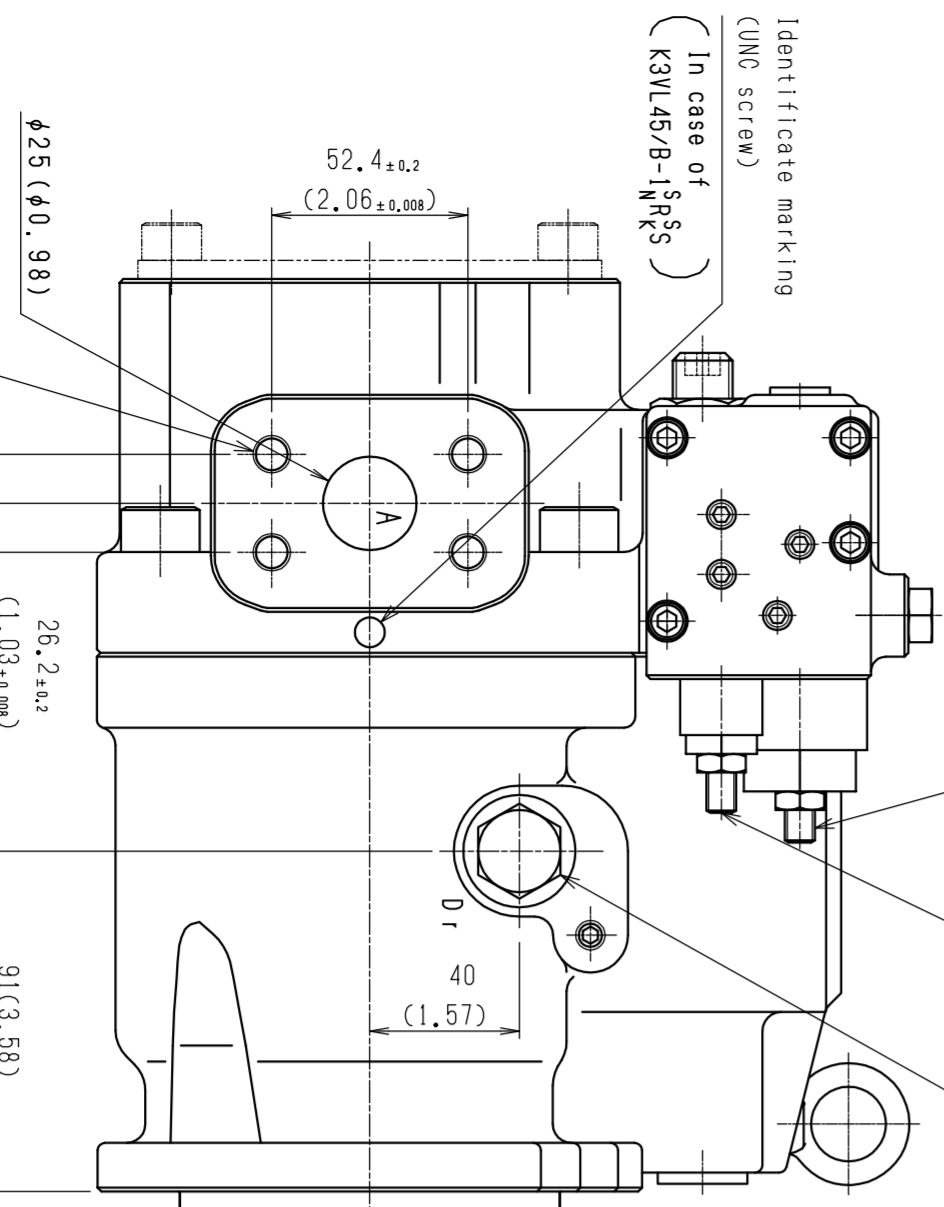


Operating specifications

Displacement	cm ³ (in ³)	48 (2.75)
Max. self priming speed	min ⁻¹	2100 (Clockwise viewed from shaft end)
Rated pressure	bar (psi)	320 (4600)
Peak pressure	bar (psi)	350 (5000)
Pump model name		K3WL45/B-1SRSS-LQ



Pump model name	Adjustable range of max. displacement	L
K3WL45/B	16~45	0.5~12.1



REVISION	DATE	BY	CHK	APP
1	2005.03.22	Y.Mi10		