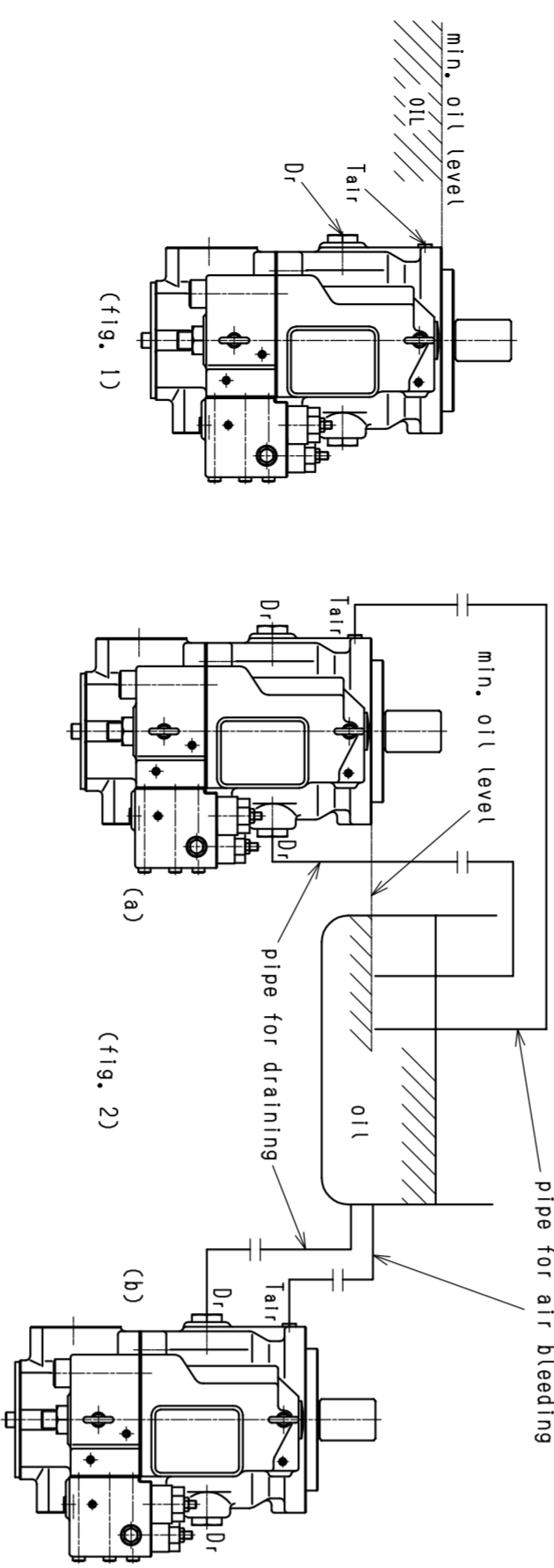


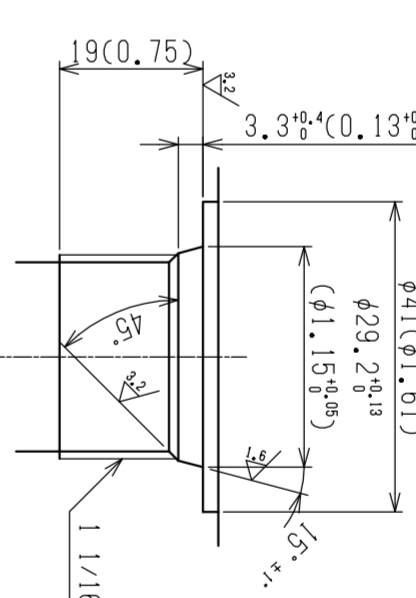
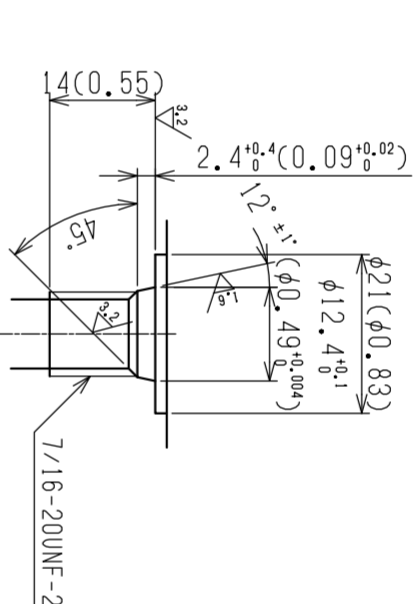
Port name	Port size	On delivery	Tightening torque (N·m)
A	Delivery port	SAE J518C High pressure Code 62) 1 1/4"	157 (115.8)
B	Suction port	SAE J518C Std. pressure Code 61) 2 1/2"	98 (72.3)
D _r	Drain port	SAE J1926/1 Straight thread O-Ring boss 3/4" 0. D Tube 1 1/16-12UN-28	167 (123.2)
P _L	Load sensing port (Type LD, LI)	SAE J1926/1 Straight thread O-Ring boss 1/4" 0. D Tube 7/16-20UNF-28	12 (8.8)
P _c	Pressure control port (Type PD)	SAE J1926/1 Straight thread O-Ring boss 1/4" 0. D Tube 7/16-20UNF-28	12 (8.8)
T _{air}	Air bleeder port	Attached with steel plug	Attached with steel plug

Notes on mounting and operation

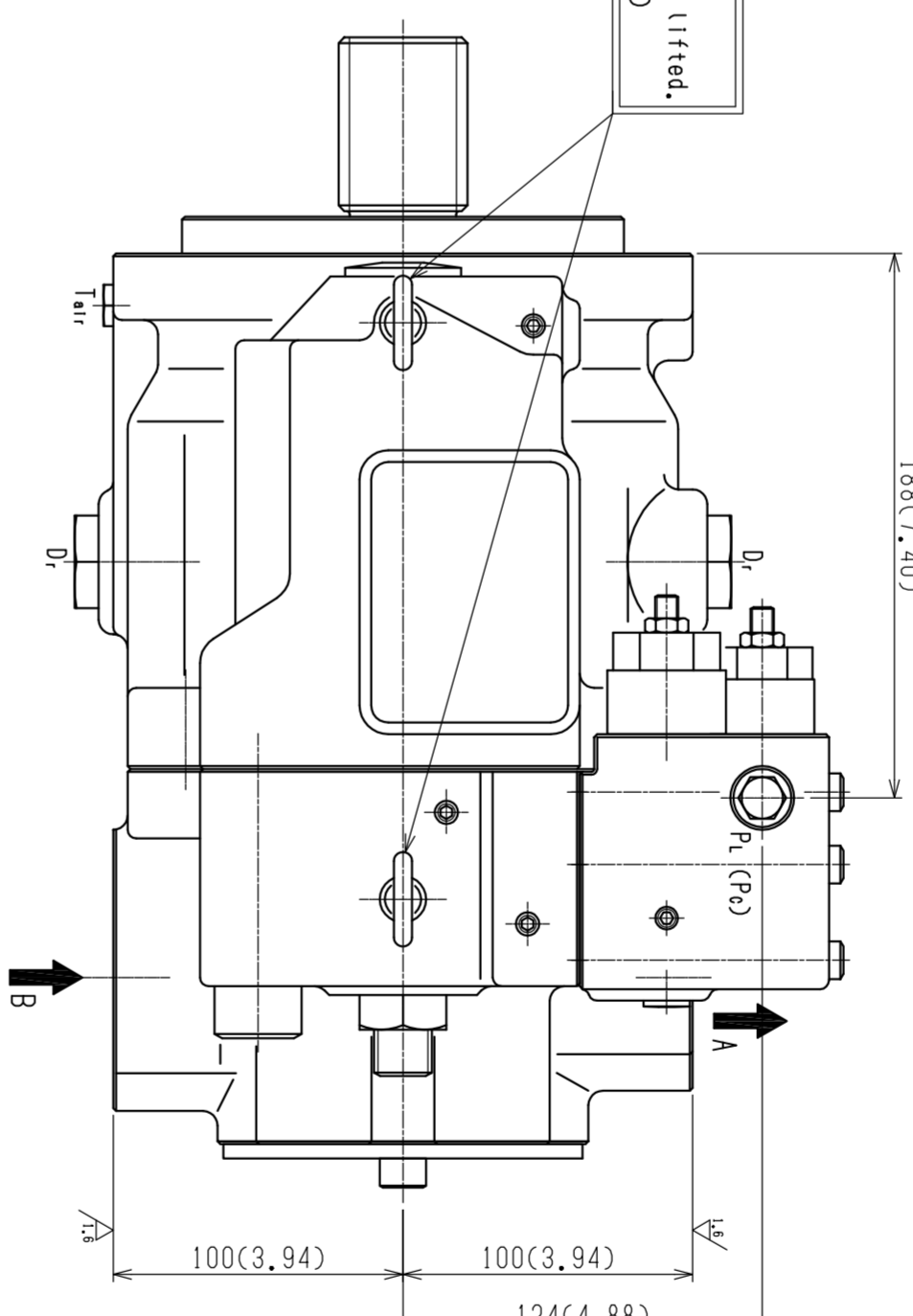
- (1) The pump shaft and flange surfaces should be cleaned. Remove an anti-rust material.
- (2) Do not apply any form of axial loading to the pump shaft.
- (3) The uppermost drain port should be used and the drain piping should be so connected as to keep the casing filled with oil.
- (4) Keep the casing pressure below 0.1 MPa (14 psi) normally, and below 0.4 MPa (58 psi) at its peak.
- (5) Make sure the drain piping led into the oil tank is kept below the surface of the oil (to prevent airtation).
- (6) Make sure the suction pressure in the suction flange is kept above 0 MPa (0 psi) normally.
- (7) Mineral antiwear type hydraulic oil should be used.
- (8) For satisfactory service life of the pump in application, the operating fluid should be continuously filtered to a minimum cleanliness level of NAS1638 class 9 or 18/15 to ISO/DIS 4406.
- (9) Provide a 150 mesh (100µm) strainer in the suction line.
- (10) Install a 10µm filter in the return line.
- (11) Allowable oil temperature range : -20~95°C.
- (12) Oil viscosity range : 10~1000cSt when 200~1000cSt, take warming up before real working.
- (13) Caution for the vertical mounting.
The oil level in the tank should be upper than the pump mounting flange. (Fig. 1)
If the oil level is lower than the pump level, forced lubrication should be made from the air bleeder port. (flow 1~2 l/min)
(a) Installation within a tank
① Open the drain port and the air bleeder port.
② Installation outside a tank (Fig. 2)
① Pipe the drain port and the air bleeder port to tank.
② If the pipe for draining or air bleeding is upper than the oil level, it should be filled with oil before starting the pump.



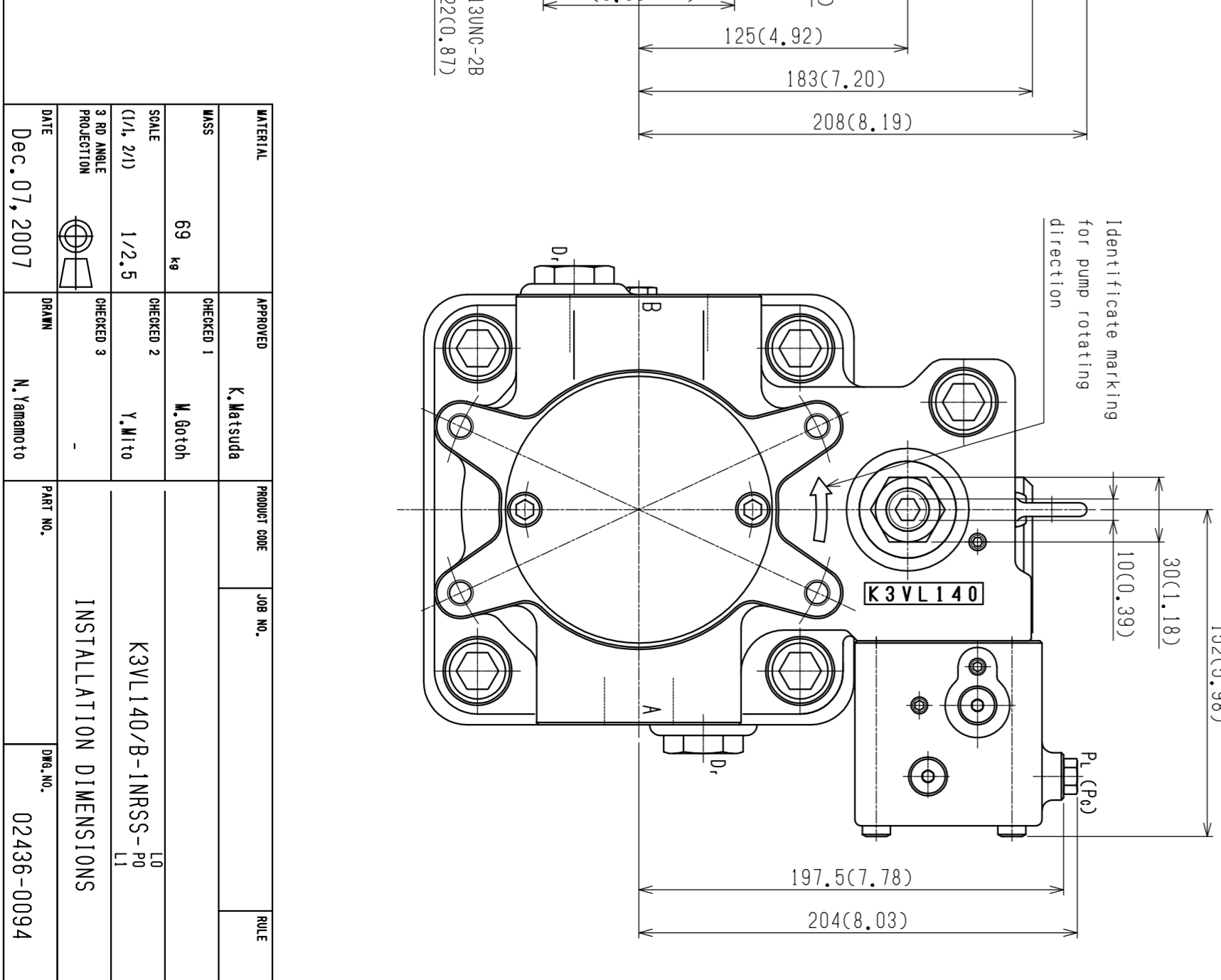
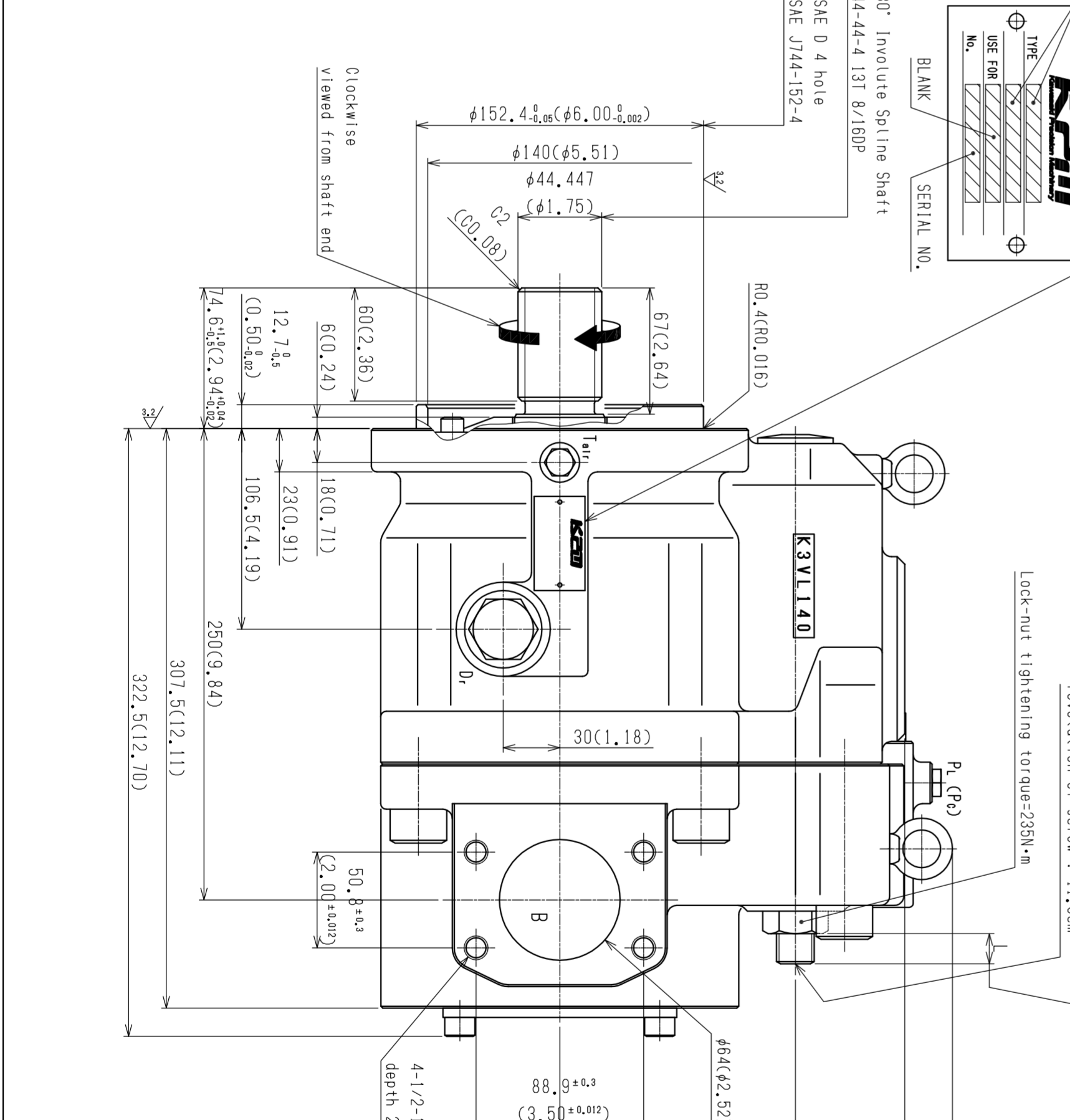
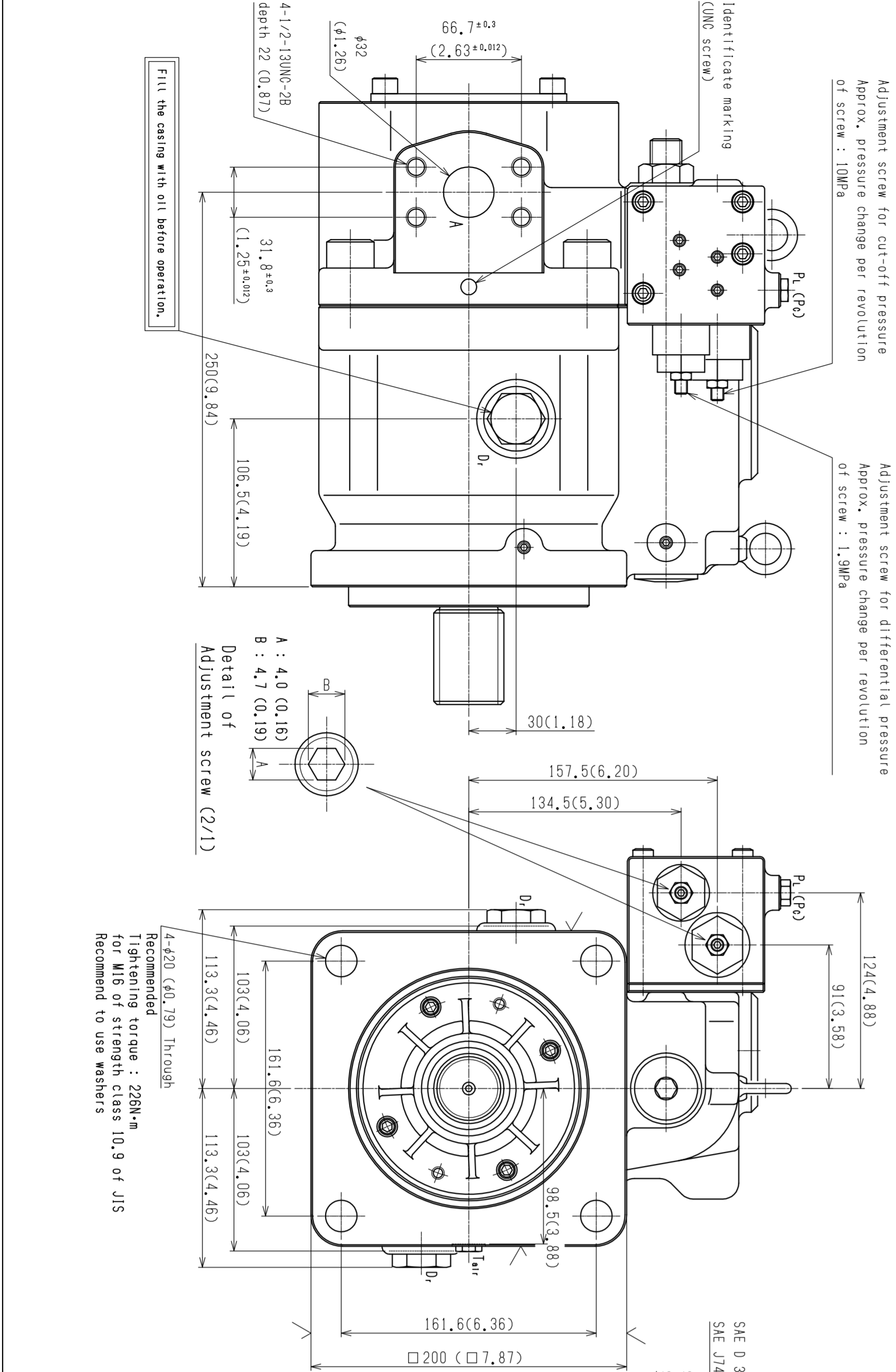
Operating Specifications	
Displacement	cm ³ (in ³)
Max. self priming speed	min ⁻¹
Rated pressure	MPa (psi)
Peak pressure	MPa (psi)
Pump model name	K3VL140/B-1MRSS-P0



Do not attach heavy objects to the pump when the pump is lifted. Use two eye bolts when the pump is lifted. (Max. allowable weight, 80kg using two eye bolts.)



Pump model name	Adjustable range of max. displacement	L
K3VL140/B	70~140	1.0~16



DATE	REVISION	DESCRIPTION
Dec. 07, 2007	1	INITIAL DESIGN
	2	REVISION
	3	REVISION

DELIVER	DATE

REVISION	DATE	DESCRIPTION
1	Dec. 07, 2007	INITIAL DESIGN
2		REVISION
3		REVISION