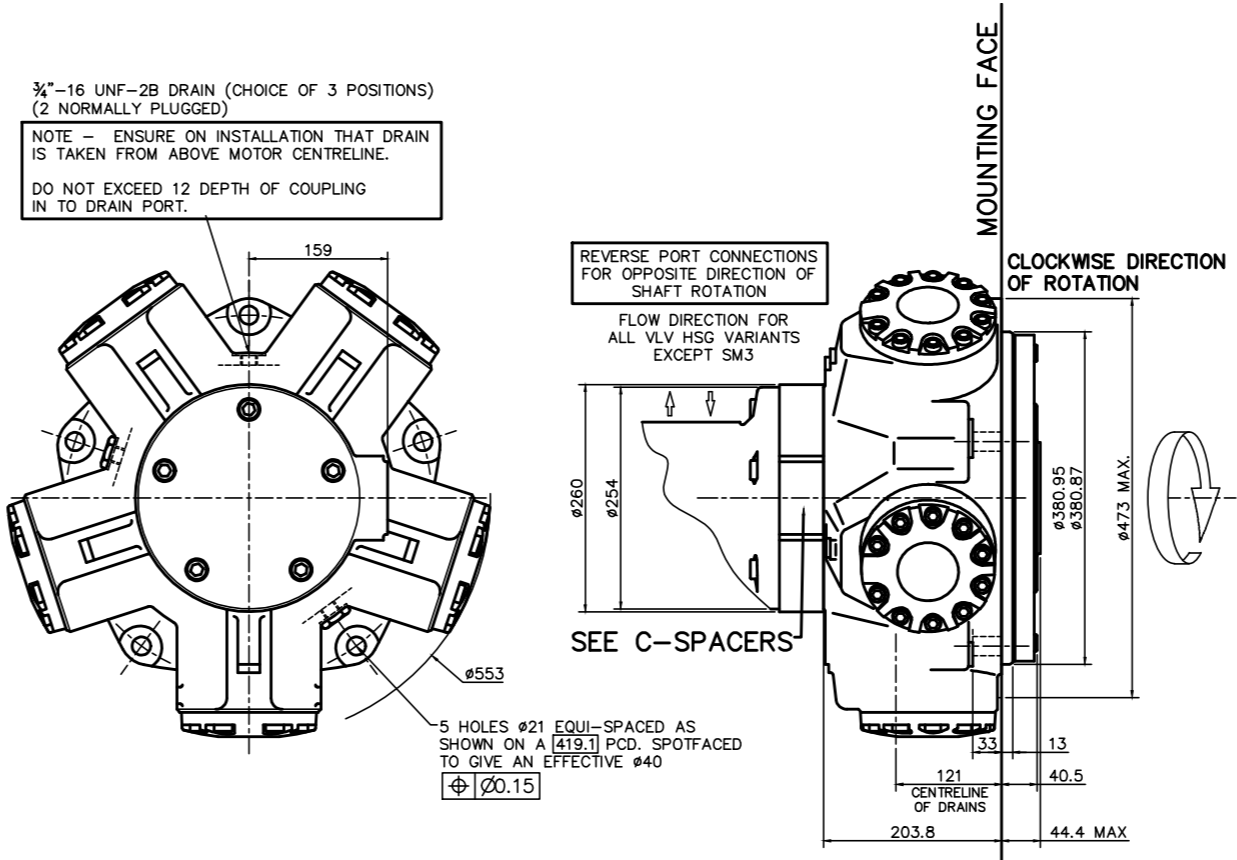


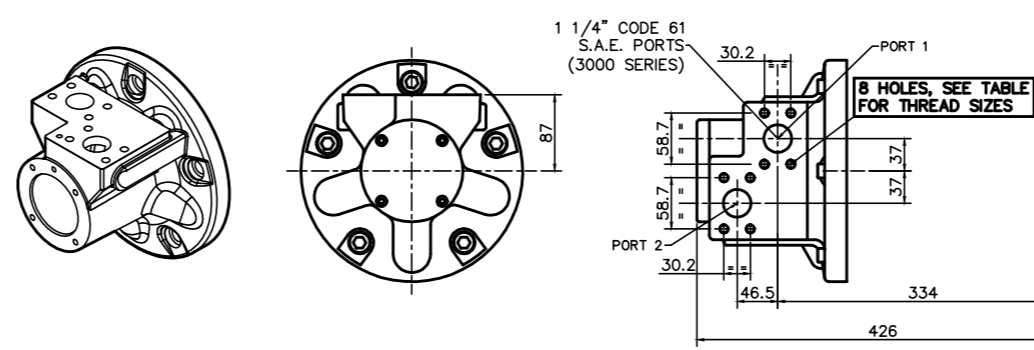
HMC125



IEWS ON ARROW 'A'

F3/FM3 -
3" VALVE HOUSING WITH
1 1/4" SAE 4-BOLT FLANGES

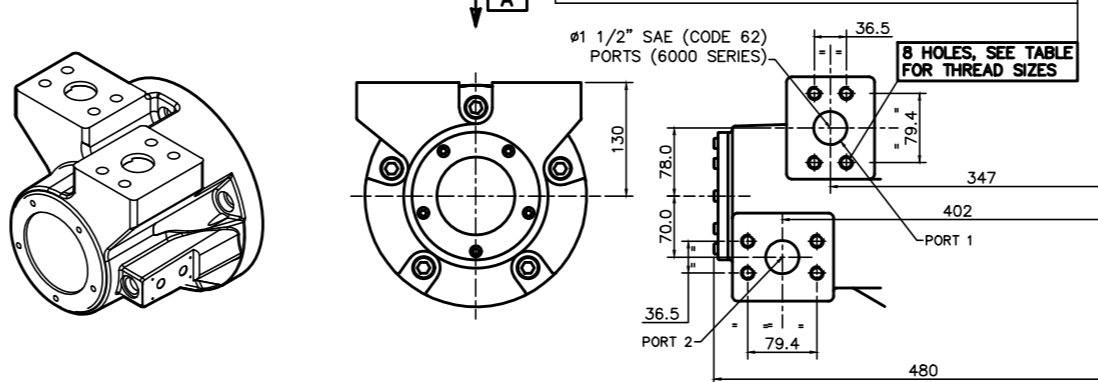
PORT FLANGE BOLT TAPPING SIZE -
F3: 7/16"-14 UNC-2B X 27 FULL THREAD DEPTH
FM3: M12 X P1.75 X 27 FULL THREAD DEPTH



IEWS ON ARROW 'A'

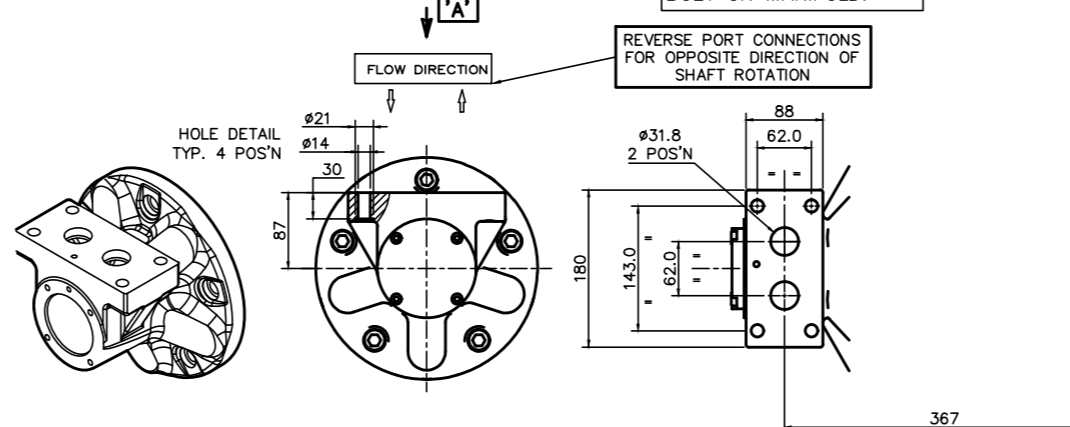
F4/FM4 -
4" VALVE HOUSING WITH
1 1/2" SAE 4-BOLT FLANGES

PORT FLANGE BOLT TAPPING SIZE -
F4: 5/8"-11 UNC-2B X 35 FULL THREAD DEPTH
FM4: M16 X P2 X 35 FULL THREAD DEPTH



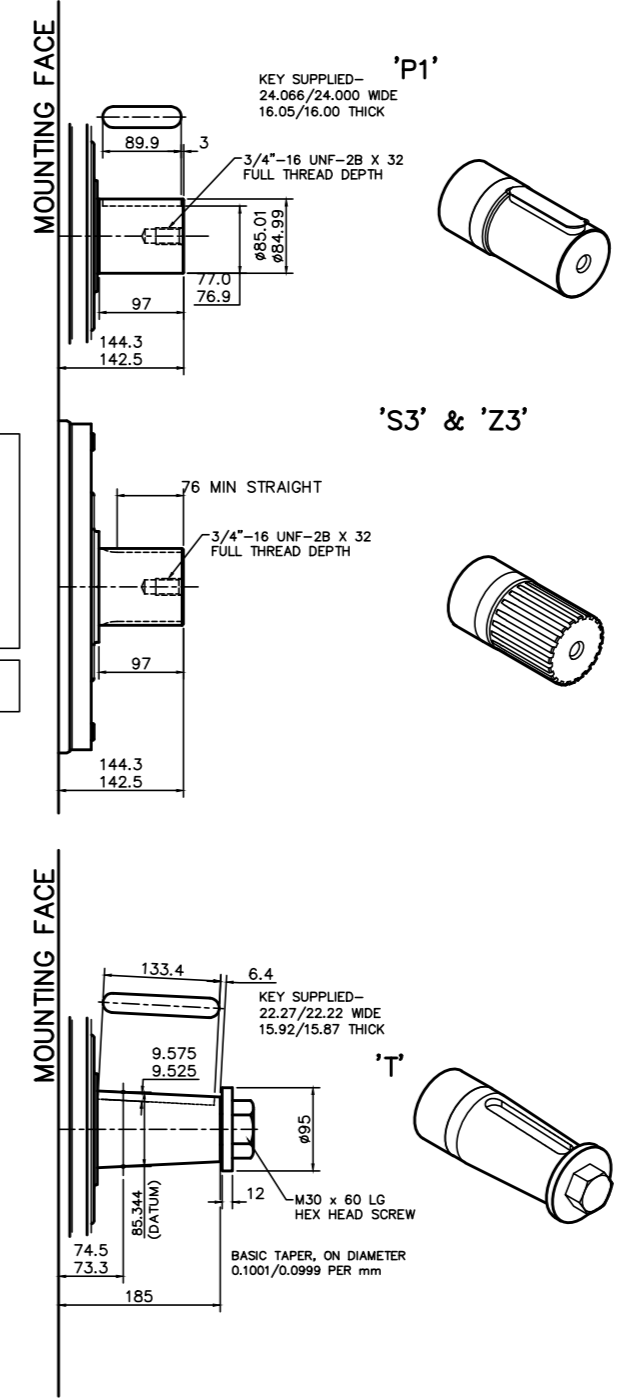
IEWS ON ARROW 'A'

SM3 -
3" VALVE HOUSING FOR BOLT ON MANIFOLD.



SPLINE DATA

'S3'	TO IS 3550 (ANSI B92.1, CLASS 5) FLAT ROOT SIDE FIT, CLASS 1 PRESSURE ANGLE: 30° NUMBER OF TEETH: 20 PITCH: 6.712 MAJOR DIAMETER: 87.953/87.825 FORM DIAMETER: 80.264 MINOR DIAMETER: 78.465/78.925 PIN DIAMETER: 8.128 DIAMETER OVER PINS: 97.054/97.030
'Z3'	DN 5480 W55 x 3 x 27 x 7h



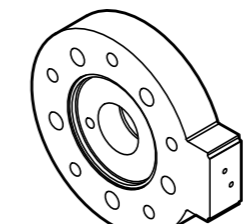
DISPLACEMENT SELECTION (A REMOTELY LOCATED VALVE)
HIGH DISPLACEMENT: P TO X, Y TO T
LOW DISPLACEMENT: P TO X, Y TO T
DISPLACEMENT SELECTOR VALVE IS NOT SUPPLIED WITH MOTOR; SPECIFY & ORDER SEPARATELY.

CONNECTION TO P PORT
G1/4" (G3/8") X 15 FULL THREAD DEPTH, SUPPLIED PLUGGED.

DISPLACEMENT SELECTION:
HIGH DISPLACEMENT: P TO A, B TO T
LOW DISPLACEMENT: P TO A, B TO T

DETAIL SCALE 2:1
#4.0 X 8 DEEP HOLE FOR ORIENTATION PIN
4 HOLES #3 X 12 DEEP

TYPE X DISPLACEMENT CONTROL



TYPES C & CS DISPLACEMENT CONTROL

