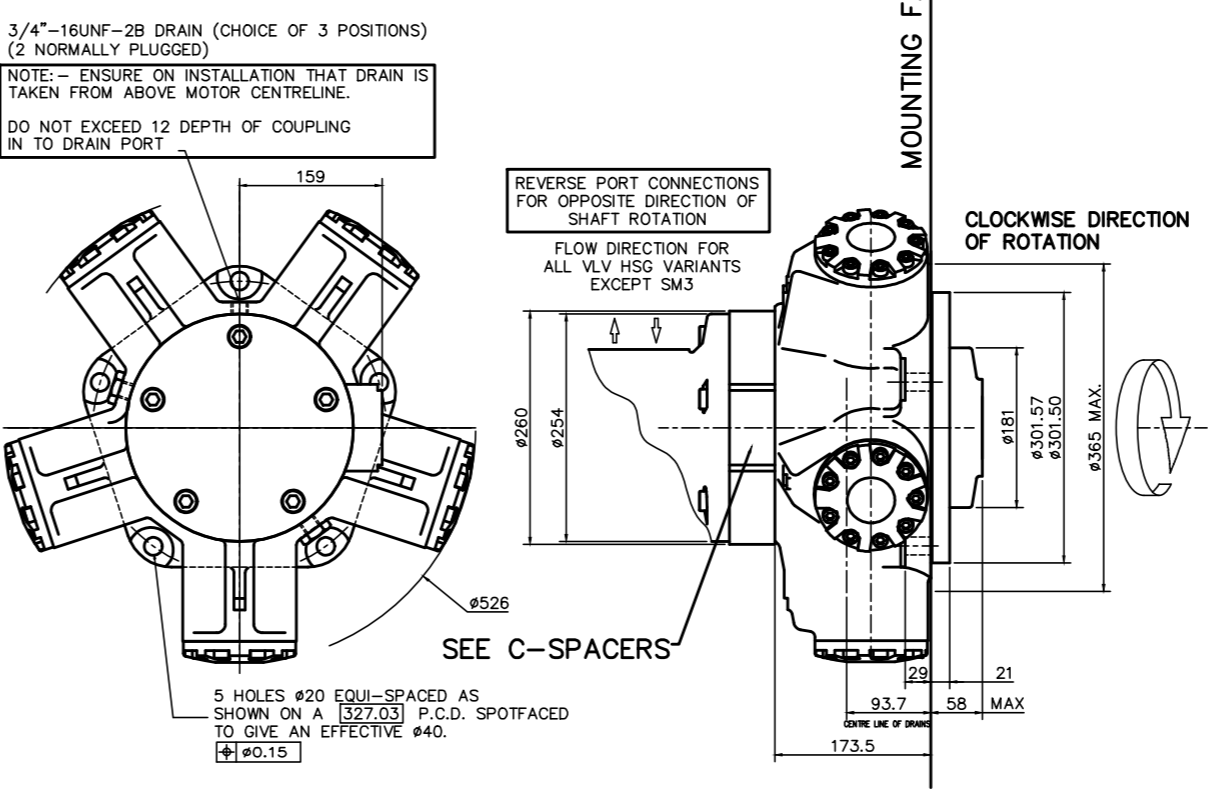


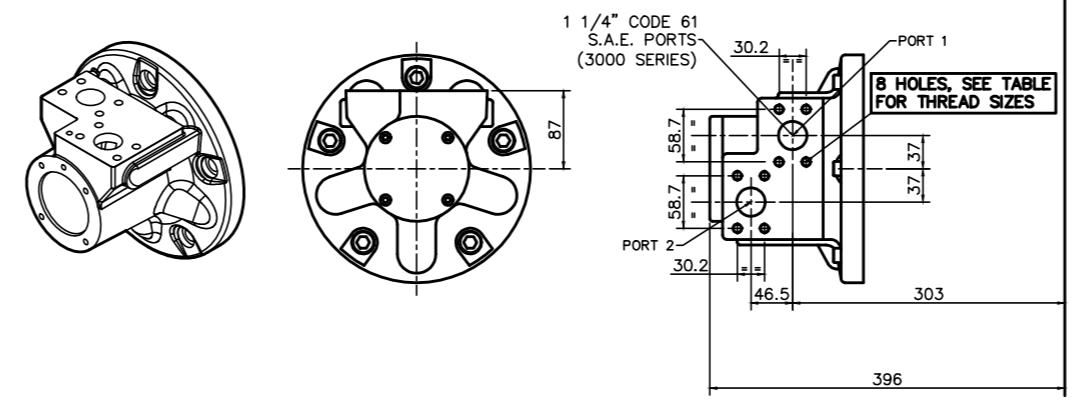
HMC080



IEWS ON ARROW 'A'

F3/FM3 -
3" VALVE HOUSING WITH
1 1/4" SAE 4-BOLT FLANGES

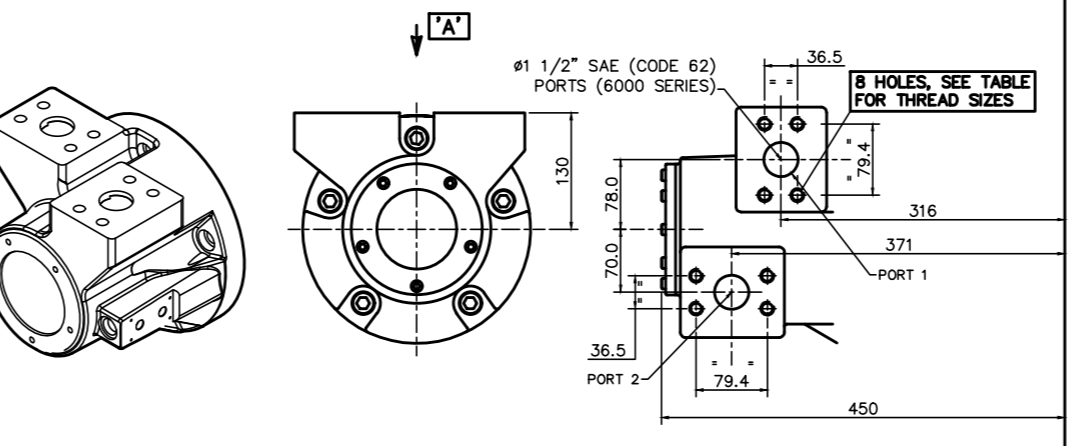
PORT FLANGE BOLT TAPPING SIZE -
F3: 7/16"-14 UNC-2B X 27 FULL THREAD DEPTH
FM3: M12 X P1.75 X 27 FULL THREAD DEPTH



IEWS ON ARROW 'A'

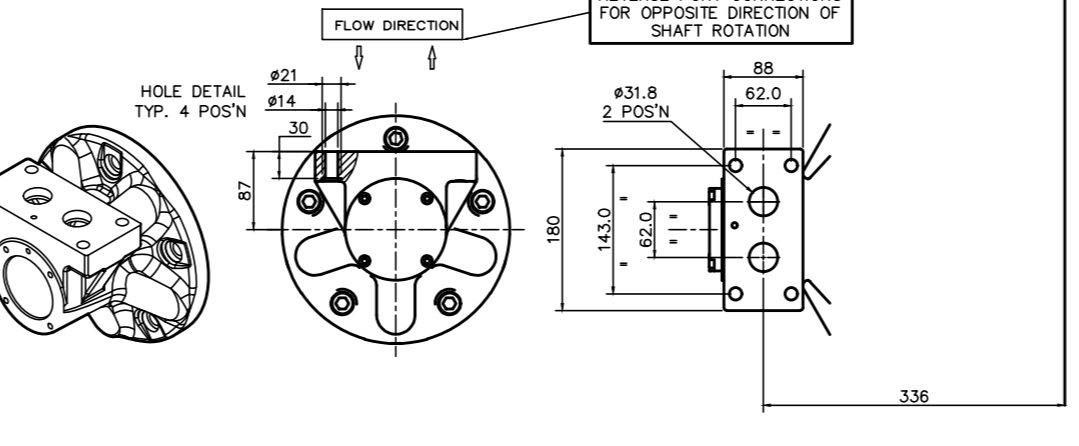
F4/FM4 -
4" VALVE HOUSING WITH
1 1/2" SAE 4-BOLT FLANGES

PORT FLANGE BOLT TAPPING SIZE -
F4: 5/8"-11 UNC-2B X 35 FULL THREAD DEPTH
FM4: M16 X P2 X 35 FULL THREAD DEPTH



IEWS ON ARROW 'A'

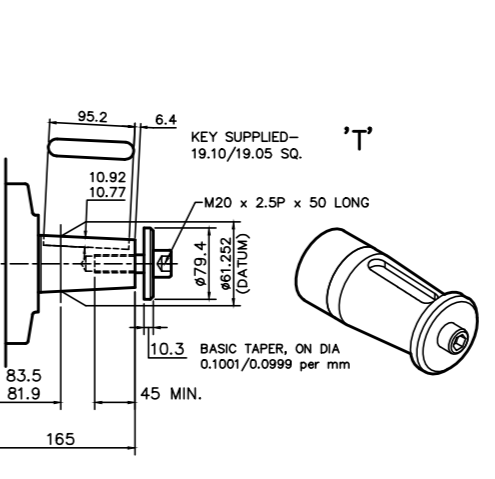
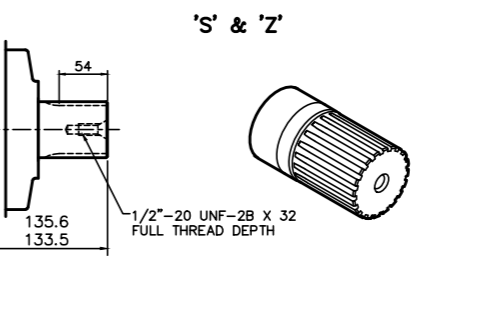
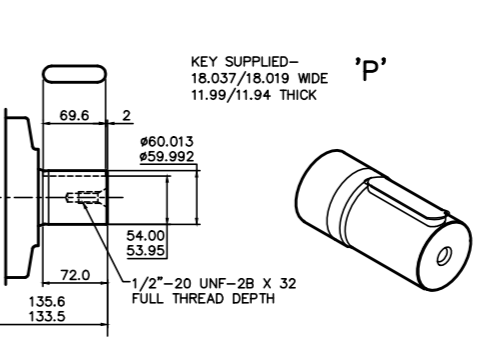
SM3 -
3" VALVE HOUSING FOR
BOLT ON MANIFOLD.



PLINE DATA

S
TO BS 3550 (ANSI B92.1 CLASS 5)
FLAT ROOT SIDE FIT, CLASS 1
PRESSURE ANGLE 30°
NUMBER OF TEETH 14
PITCH 6.7/2
MAJOR DIAMETER 62.553/62.425
FORM DIAMETER 55.052
MINOR DIAMETER 54.084/53.525
PIN DIAMETER 8.128
DIAMETER OVER PINS 71.593/71.544

T
DN 5480 W70 x 3 x 30 x 22 x 7h



DISPLACEMENT SELECTION (MA REMOTELY LOCATED VALVE*)
HIGH DISPLACEMENT: P TO X; X TO T
LOW DISPLACEMENT: P TO Y; Y TO T
*DISPLACEMENT SELECTOR VALVE IS NOT SUPPLIED WITH MOTOR; SPECIFY & ORDER SEPARATELY

MOUNTING INTERFACE FOR DIRECTIONAL CONTROL VALVE: TO ISO 4401 SIZE 03/ANSI B83.7M SIZE D03 *DISPLACEMENT SELECTOR VALVE IS NOT SUPPLIED WITH MOTOR; SPECIFY & ORDER SEPARATELY

DISPLACEMENT SELECTION:
HIGH DISPLACEMENT: P TO B; A TO T
LOW DISPLACEMENT: P TO A; B TO T

