

DRAWING No.			
016328			
ISSUE	CHANGE	DATE	CHK.
A		07.07	F.S
B		01.12	FS
C	PM19/048	04.19	FS
D	PM19/084	09.19	MN

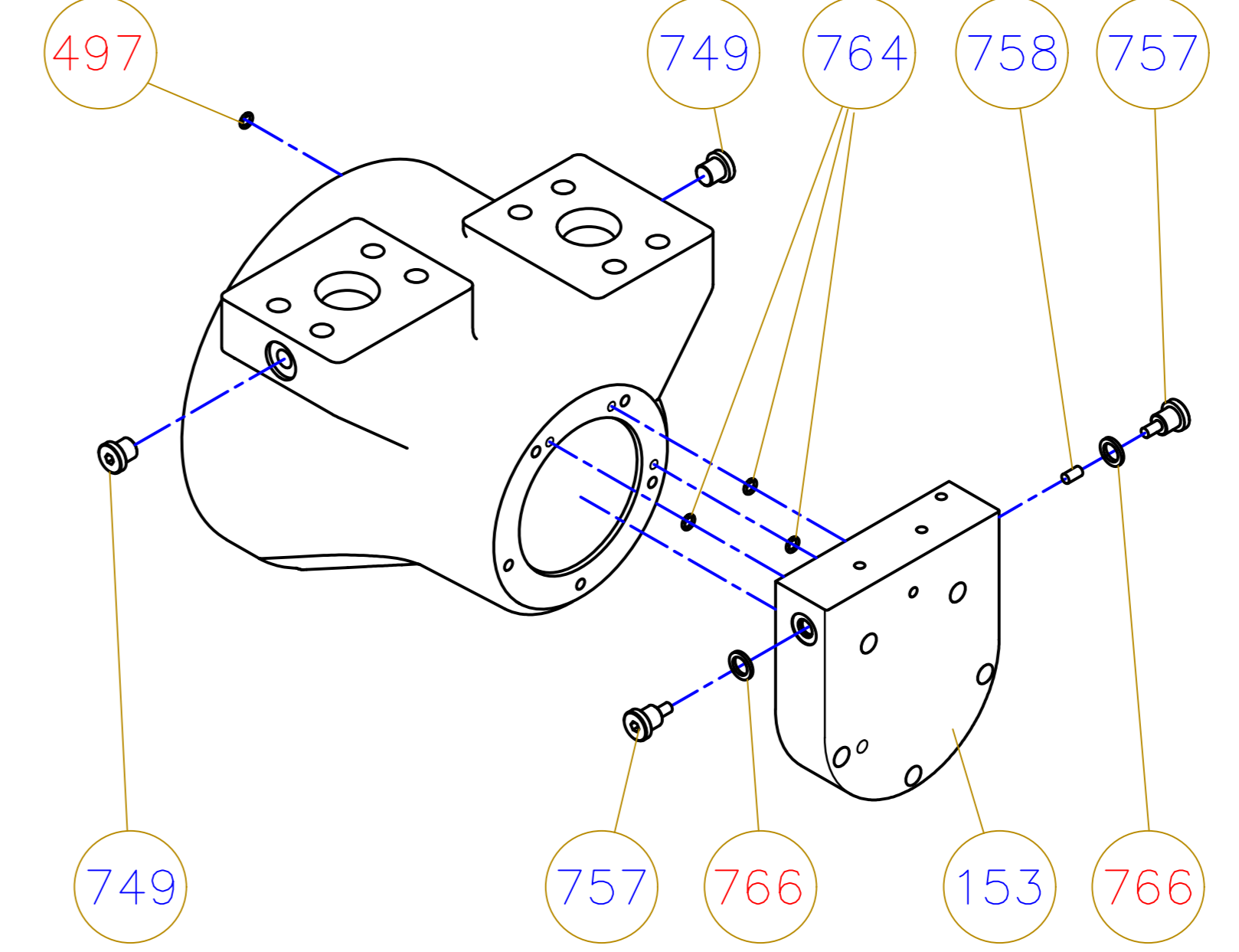
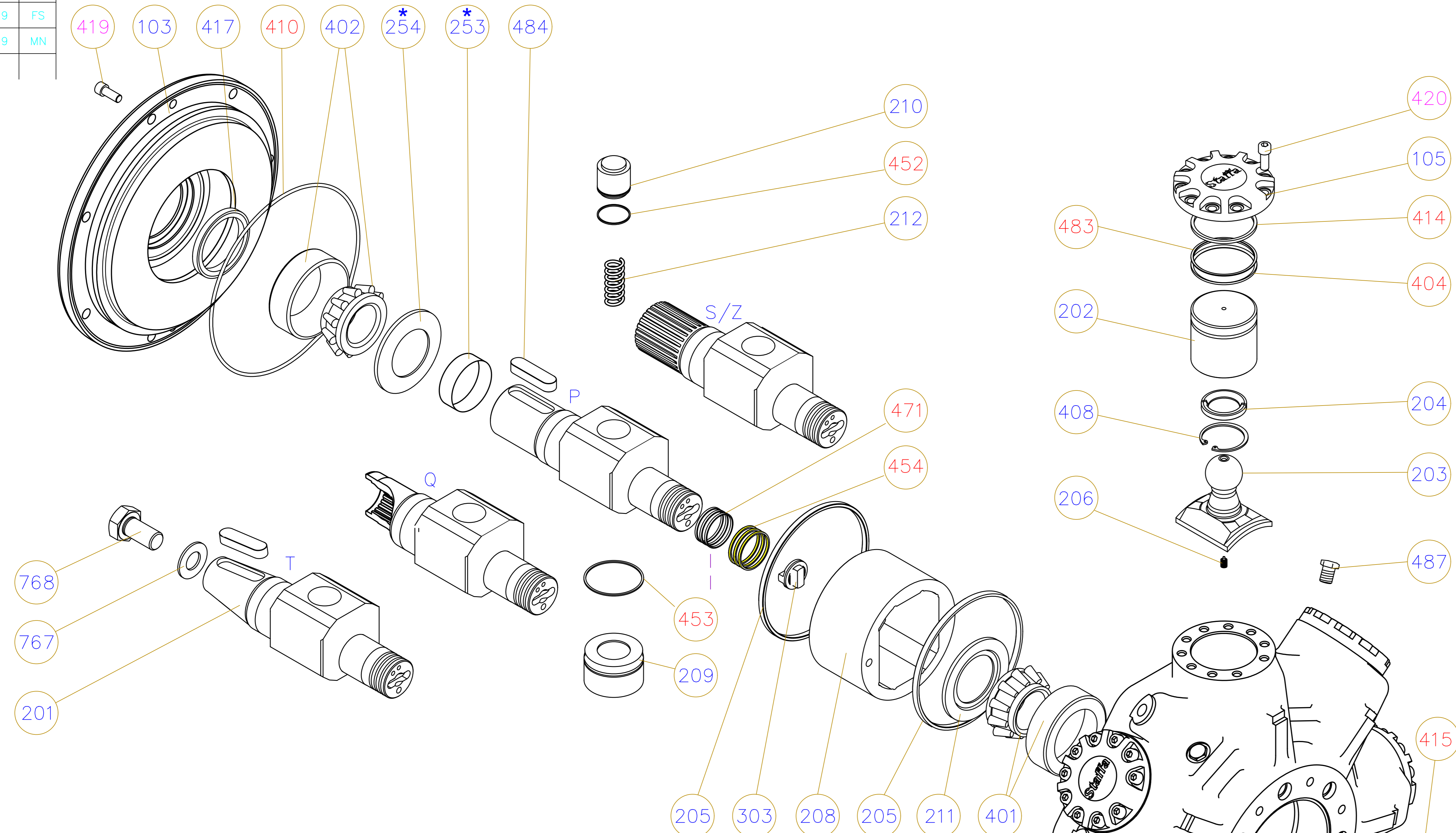
DO NOT SCALE

ITEMS HIGHLIGHTED RED MAY ONLY BE ORDERED IN A SEAL KIT

IF IN DOUBT-ASK

FM4/F4  
(OBSOLETE SERIES)

FM4/F4  
(CURRENT SERIES)



CODE	QTY	DESCRIPTION
153	1	SHUTTLE ENDCAP
497	1	'O' RING - SPACER PRESSURE FEED
749*	-	ERMETO PLUG-SIDE PRESSURE PORT
757*	-	SHUTTLE PLUG
758	1	SHUTTLE
764	3	'O' RING - SHUTTLE END CAP
766	2	BONDED WASHER

CODE	QTY	DESCRIPTION
497	1	'O' RING - SPACER PRESSURE FEED
749*	-	ERMETO PLUG-SIDE PRESSURE PORT
750	1	'O' RING - SHUTTLE PLUG - CS
757	1	SHUTTLE PLUG
758	1	SHUTTLE

\* WHERE FITTED

F4/FM4 CS SHUTTLE OPTIONS

Applicable for  
F4/FM4 CS CP CHP only

ITEMS HIGHLIGHTED MAGENTA MAY ONLY BE ORDERED IN A BOLT KIT

SPARES :  
QUOTE SERIAL NO OF MOTOR  
+ FULL MODEL CODE

\* WHERE FITTED

CODE	QTY	DESCRIPTION	CODE	QTY	DESCRIPTION
101	1	MOTORCASE	408	7	CIRCLIP (PISTON-INTERNAL)
102	1	VALVE HOUSING	410	1	O-RING (FRONT COVER)
103	1	FRONT COVER	413	1	O-RING (VALVE END CAP)
104	1	VALVE END CAP	414	7	O-RING (CYLINDER HEAD)
105	7	CYLINDER HEAD	415	14	O-RING (INTERNAL PORTS)
109	1	C-SPACER	417	1	SHAFT SEAL
201	1	TWO SPEED CRANKSHAFT	418	7	S.H.C.S. (VALVE HSG/SPACER/M'CASE)
202	7	PISTON	426	2	BONDED SEAL
203	7	CON-ROD	419	7	S.H.C.S. (FRONT COVER)
204	14	PISTON RETAINING HALF RING	420	70	S.H.C.S. (CYLINDER END CAP)
205	2	CON-ROD RETAINING RING	422	5	S.H.C.S. (VALVE END CAP)
206	7	RESTRICTOR SCREW	435	2	DRAIN PLUG
208	1	DRUM	452	1	SMALL DISP. PISTON SEAL RING
209	1	LARGE DISPLACEMENT PISTON	453	1	LARGE DISP. PISTON SEAL RING
210	1	SMALL DISPLACEMENT PISTON	454	6	SHAFT SEAL RING
211	1	REAR SPACER PLATE	456	1	PLUG
212	1	SPRING	471	3	SHAFT SEAL BACKING RING
253*	1	SHAFT SLEEVE	474	2	O-RING (S04 VALVE HOUSING PORTS)
254*	1	FRONT SPACER PLATE	475	1	O-RING (SPACER SURROUND)
301	1	VALVE SPOOL	482	1	O-RING (VALVE HOUSING SURROUND)
303	1	OLDHAMS COUPLING	483	7	PISTON SEAL BACKING RING
305	-	SHIM (STEEL)	484	1	CUSTOMER KEY
401	1	REAR BEARING	487	1	PLASTIC PLUG
402	1	FRONT BEARING	499*	7	O-RING RETAINER (SHORT)
404	7	PISTON SEAL RING	767	1	KEEP PLATE
405	12	VALVE SEAL RING	768	1	HEX HEAD SCREW

THIRD ANGLE PROJECTION	NAME	DATE	 KPM Kawasaki Precision Machinery Staffa Products Emesettle, Plymouth PL5 2SA www.kpm-eu.com	
	DR.	M.NORMAN		20.08.07
	CHK.	F.STANTON		26.11.07
	ENGR. APPVL.			
	WT.			
TITLE			GENERAL ASSEMBLY (FOR SPARES)	
HMC/HPC MOTOR (270-325)				
ALL TECHNICAL DATA DISCLOSED HEREIN IS THE PROPERTY OF KAWASAKI AND SHALL NOT BE USED BY OTHERS FOR MANUFACTURE, PROCUREMENT OR DISCLOSURE WITHOUT THE WRITTEN PERMISSION OF THE OWNER.	SIZE	A1	SCALE	NTS
	DRAWING No.	016328		SHEET
				1 of 1