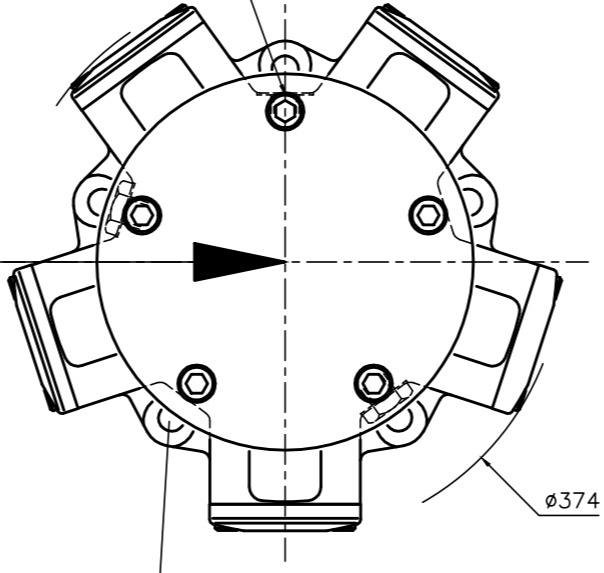


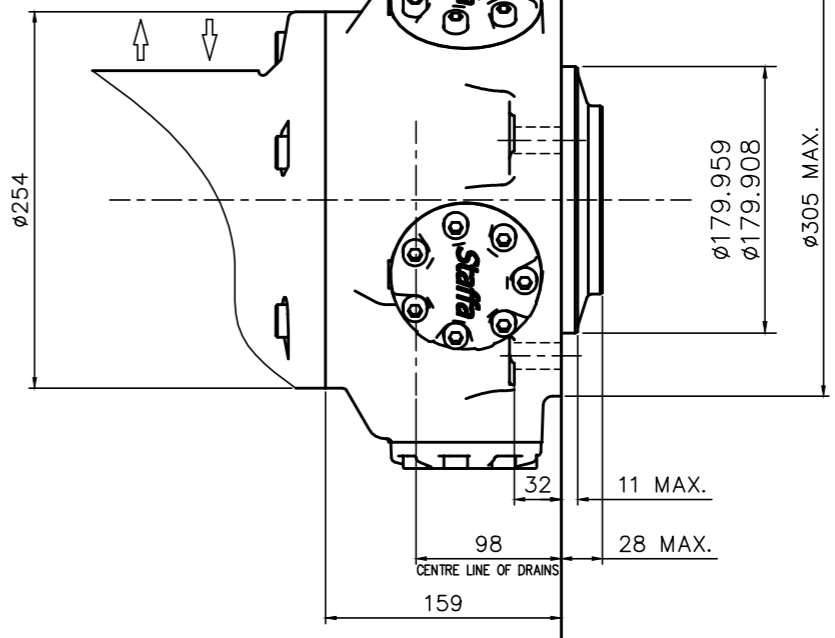
HMB030

3/8" BSP x 17 FULL THREAD (CHOICE OF 3 POSITIONS) (2 NORMALLY PLUGGED)
 NOTE: - ENSURE ON INSTALLATION THAT DRAIN IS TAKEN FROM ABOVE MOTOR CENTRELINE.
 DO NOT EXCEED 12 DEPTH OF COUPLING IN TO DRAIN PORT



5 HOLES $\phi 18$ EQUI-SPACED AS SHOWN ON A $\phi 260.1$ P.C.D. SPOTFACED TO GIVE AN EFFECTIVE $\phi 35$.
 $\pm \phi 0.15$

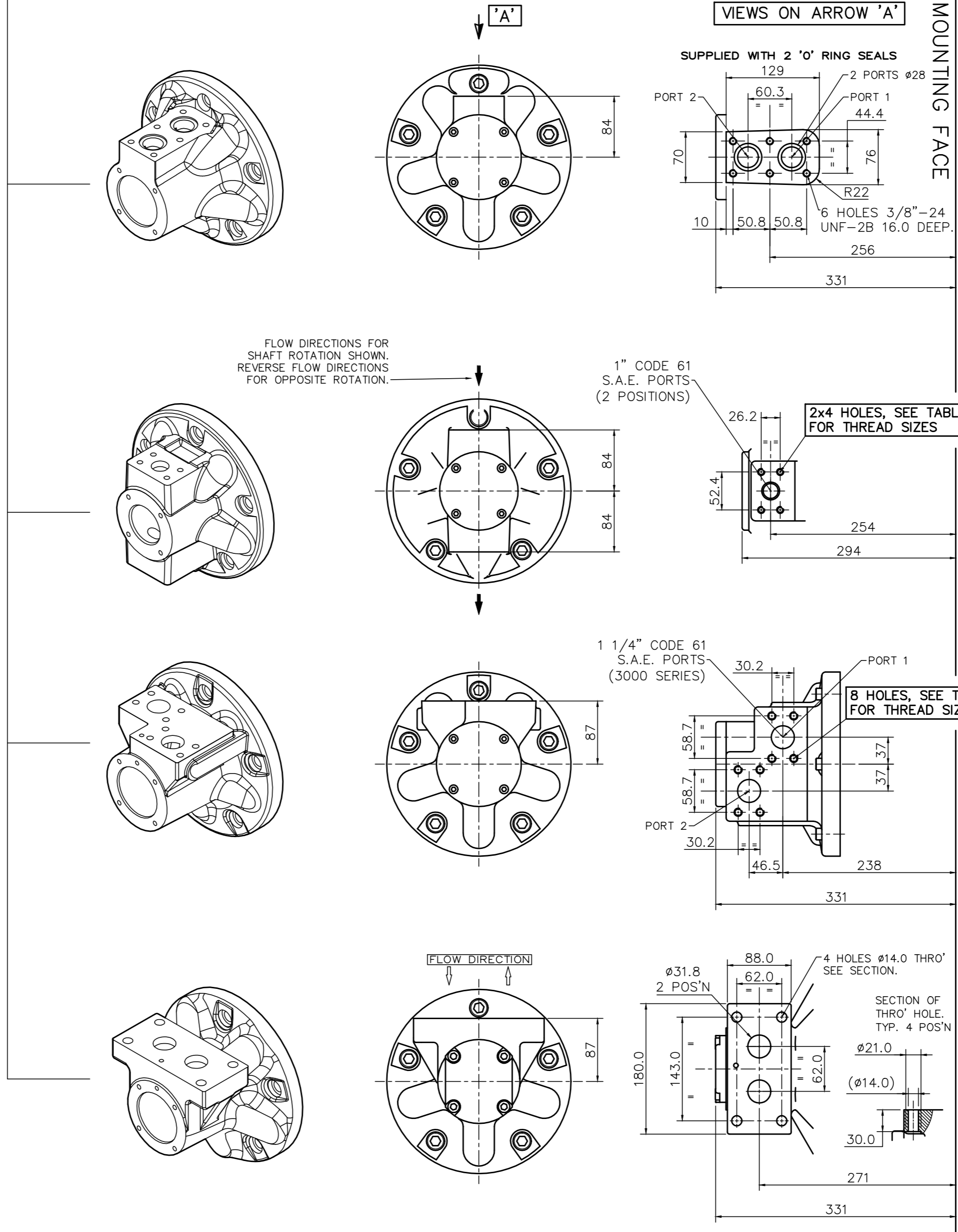
REVERSE PORT CONNECTIONS FOR OPPOSITE DIRECTION OF SHAFT ROTATION
 FLOW DIRECTION FOR ALL VLV HSG VARIANTS EXCEPT F2/FM2/SM3



CLOCKWISE DIRECTION OF ROTATION

VALVE HOUSINGS

EXAMPLE FOR MODEL CODE - HMB030/P/FM3/50



S03 - 3" VALVE HOUSING WITH 6-BOLT FLANGE

F2/FM2 - 2 1/4" VALVE HOUSING WITH 1" SAE 4-BOLT FLANGES

PORT FLANGE BOLT TAPPING SIZE -
 F2: 3/8"-16 UNC-2B X 22 FULL THREAD DEPTH
 FM2: M10 X P1.5 X 22 FULL THREAD DEPTH

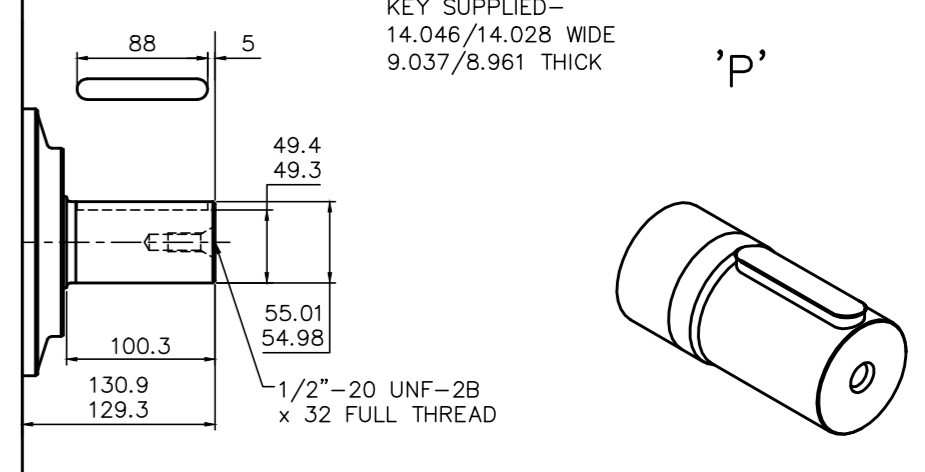
F3/FM3 - 3" VALVE HOUSING WITH 1 1/4" SAE 4-BOLT FLANGES

PORT FLANGE BOLT TAPPING SIZE -
 F3: 7/16"-14 UNC-2B X 27 FULL THREAD DEPTH
 FM3: M12 X P1.75 X 27 FULL THREAD DEPTH

SM3 - 3" VALVE HOUSING WITH 4 THRO' HOLES FOR MOUNTING A MANIFOLD BOLTED FROM BENEATH.

SHAFTS

EXAMPLE FOR MODEL CODE - HMB030/P/FM3/50

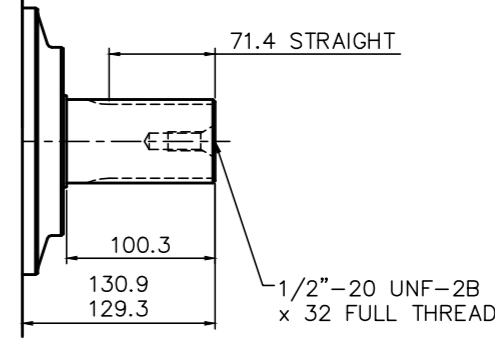


KEY SUPPLIED - 14.046/14.028 WIDE 9.037/8.961 THICK

'P'

SPLINE DATA
 'S'
 TO BS 3550 (ANSI B92.1 CLASS 5)
 FLAT ROOT SIDE FIT, CLASS 1
 PRESSURE ANGLE 30°
 NUMBER OF TEETH 17
 PITCH 8/16
 MAJOR DIAMETER 56.41/56.28
 FORM DIAMETER 50.703
 MINOR DIAMETER 50.07/49.60
 PIN DIAMETER 6.096
 DIAMETER OVER PINS 62.985/62.931

'Z'
 DIN 5480, W55 X 3 X 17 X 7h



'S' & 'Z'